



# Owner's Operations Manual

## AQUA REHAB COMMODE

Future Mobility Products - One Buffalo River Place, Buffalo, NY 14210 1-855-938-8873  
1-716-783-9130, fax 1-716-783-9236

[www.futuremobility.com](http://www.futuremobility.com)

**NOTE:** Check all parts for shipping damages before using.  
In case of damage, do NOT use the equipment.  
Contact the Equipment Supplier for further instructions.

**WARNING**  
DO NOT install this equipment without first reading and understanding this instruction booklet. If you are unable to understand these instructions, contact a healthcare professional, dealer or technical personnel before attempting to install this equipment - otherwise, injury or damage may occur.

**NOTICE**  
Information contained within this document is subject to change without notice.

AQUA REHAB COMMODE LABELS

**WEIGHT CAPACITY**  
**250 LBS. (114 KGS)**  
**REFER TO OWNER'S MANUAL**

**WARNING**  
**DO NOT OPERATE WITHOUT**  
**ANTI-TIP MECHANISM IN PLACE.**  
**UNIT MAY TIP BACKWARDS.**

For Self  
Propelled  
Commode

# TABLE OF CONTENTS

Labels.....	2
Specifications.....	4 General
Guidelines.....	6 Safety
Inspection.....	8 Front
Rigging.....	9
Arms.....	10
Back.....	11
Seat.....	12
Potty.....	13
Casters.....	14 Rear
Wheels.....	15 Wheel
Locks.....	16 Anti
Tip.....	17 Seat to
Floor.....	19
Warranty.....	20

## AQUA REHAB COMMODE SPECIFICATIONS

### Chair Size

- Overall Max. Width 28" (for 22"W)
- Overall Max. Length 38" (with swingaway), 32.5" (no swingaway)
- Overall Max. Height 41"
- Weight ≤ 38 lbs. (attendant propelled) & ≤ 47 lbs. (self propelled)
- Stainless Steel hardware

### Weight Capacity (client weight)

- 250 lbs.

### Seat Widths

- 17", 20", 22"

### Seat to Floor Heights

- Front seat to floor height 16.5" – 19.5" (Attendant Propelled)
- Front seat to floor height 16.25" – 19.5" (Self Propelled)
- Fixed rear wheels (Self Propelled)
- Rear Wheels 20", 22" and 24" (Self Propelled)

### Back Canes

- Fixed Back
- Height Adjustable (1/2" increments)
- Stainless Steel Back Posts

### Colors

#### Frame

- White, Stainless Steel

### Arms – Gel Armpad 17" long

- 3" wide
  - Rounded at front and tapered to back
  - Softer/plush
  - Cantilever Arm, easy to remove by disengaging latch
  - Flipback Fixed Height
- #### Armrest (Optional)
- Comes with 14" long vinyl armpad.

## Foot/Leg Supports

- Swingaway, detachable front rigging (Center Pivot)
  - ○ 50°
  - ○ heel loops Standard
  - ○ calf straps
  -
- Footplates (Flipup)
  - ○ Aluminum
  - ○ Composite
  - ○ Adjustable angle flipback and side angle

## Antitips (For Self Propelled)

- 2 rear (quick removable)
  - ○ Height

## Handrim Options (For Self Propelled)

- Plastic coated and stainless steel

## Wheel Lock (For Self Propelled)

- PushtoLock Wheel Lock
- Mesh design for easy cleaning and easy installation

## Back Upholstery

## Casters

- Tente Caster with Locking mechanism
- Stainless Steel Caster Stem

# GENERAL GUIDELINES

## STABILITY WARNING

The back height, position of the front and rear casters, size/position of the rear wheels, antitipper model, as well as the user condition directly relate to the stability of the commode. Any change to one (1) or any combination of the five (5) criteria may cause the commode to decrease in stability. These adjustments **MUST** be performed by a qualified technician. The rear wheels and anti tippers are only used for self propelled Aqua Rehab Commode. The self propelled commode has 2 rear wheels and 2 front casters while the attendant propelled commode has 4 casters – 2 in front and 2 in the rear.

The various seattofloor heights require specific settings depending on rear wheel size, rear wheel position, front caster position and desired seattofloor angle. These adjustments **MUST** be performed by a qualified technician.

## OPERATING INFORMATION

Unless otherwise noted, all service and adjustment should be performed while the commode is unoccupied.

To determine and establish your particular safety limits, practice bending, reaching and transferring activities in several combinations in the presence of a qualified healthcare professional **BEFORE** attempting active use of the commode.

Always verify that the back assembly is secure **PRIOR** to use when an attendant is used to propel or lift the commode. Check for any signs of looseness or deterioration and if found, contact a qualified technician. **DO NOT** attempt to move the commode by using the back assembly if it is found to be unsecure or have deteriorated.

- ⑩ DO NOT sit or transfer into the commode unless it is fully open and the commode seat assembly is properly fastened to the commode frame through the use of clips.
- ⑩ DO NOT TRAVERSE, CLIMB or GO DOWN ramps or slopes greater than 9 degrees
- ⑩ DO NOT attempt to move up or down an incline with a water, ice or oil film
- ⑩ DO NOT operate on roads, streets or highways
- ⑩ DO NOT attempt to ride over curbs or obstacles. Doing so may cause your commode to tip over and cause bodily harm to you or damage to the commode.
- ⑩ DO NOT attempt to reach objects if you have to move forward in the seat.
- ⑩ DO NOT attempt to reach objects if you have to pick them up from the floor by reaching down between your knees.
- ⑩ DO NOT lean over the top of the back upholstery. This will change your center of gravity and may cause you to tip over.

- ⑩ DO NOT shift your weight or sitting position toward direction you are reaching as the commode may tip over.
- ⑩ WHEEL LOCKS ARE NOT BRAKES. DO NOT attempt to stop a moving commode with wheel locks. These locks are to be engaged by the occupant or attendant when the commode is stationary and prior to use by the occupant.
- ⑩ CASTER LOCKS ARE NOT BRAKES. DO NOT attempt to stop a moving commode with caster locks. These locks are to be engaged by the attendant when the commode is stationary and prior to use by the occupant.
- ⑩ DO NOT tip the commode without assistance.
- ⑩ DO NOT use an escalator to move a commode between floors. Serious bodily injury may occur.
- ⑩ Before attempting to transfer in and out of the commode, every precaution should be taken to reduce the gap distance. Turn both casters parallel to the object you are transferring onto. When transferring to and from the commode, ALWAYS ENGAGE BOTH WHEEL and CASTER LOCKS.
- ⑩ DO NOT use parts, accessories or adapters other than those authorized by Future Mobility Healthcare Inc. Otherwise, the warranty is void.
- ⑩ DO NOT attempt to lift the commode by any removable (detachable) part. Lifting by means of any removable (detachable) parts of a commode may result in injury to the user and/or assistant or damage to the commode.
- ⑩ DO NOT stand on the frame of the commode.
- ⑩ DO NOT use the footplate as a platform. When getting in or out of the commode, make sure that the footplates are in the upward position.

## WEIGHT LIMITATION

### WARNING

The Aqua Rehab Commode has a weight limitation of 250 lbs. (114kg).

## SAFETY INSPECTION CHECKLIST

Initial adjustments should be made to suit your personal body structure needs and preference. Thereafter follow these maintenance procedures:

Item	Initially	Weekly	Monthly	Periodically
GENERAL • Commode rolls straight (no excessive drag or pull to one side)	X	X	X	
FRAME AND CROSSING TUBES • Inspect for loose or missing hardware • Inspect for bent frame or crosstubes	X X	X X	X X	

WHEEL LOCKS – FOR SELF PROPELLED • Do not interfere with tires when rolling • Pivot points free of wear and looseness • Wheel locks easy to engage • Wheel locks prevent chair from moving when engaged	X X X X	X X X X		X
SEAT AND BACK • Inspect for rips or sagging • Inspect for loose or broken hardware • Inspect cane and back upholstery for wear/looseness	X X X	X X X		X
TIRES – FOR SELF PROPELLED • Inspect for flat spots, cracks and wear Caution: as with any vehicle, the wheels and tires should be checked periodically for cracks and wear and should be replaced.	X	X		X
REAR WHEELS – FOR SELF PROPELLED • No excessive side movement or binding when lifted and spun • Inspect for cracked, bent or broken spokes	X X	X X		X
HANDRIMS – FOR SELF PROPELLED • Inspect for signs of rough edges or peeling	X	X		X
FRONT AND REAR CASTERS • Inspect caster assembly for proper tension by spinning caster; caster should come to a gradual stop • Adjust bearing system if wheel wobbles or binds to a stop. Ensure wheel bearings are clean and free of moisture. • Check caster stem for tightness • Inspect casters for cracks and wear • Inspect for cracked, bent or broken spokes • Inspect Tente Caster lock to ensure it engages properly	X X X X X X	X X	X X X	X X
CLEANING • Clean upholstery and armrests • Clean potty and commode seat • Check commode for sign of human waste on all parts to maintain sanitary conditions.	X X X	X X X	X X X	

## TROUBLESHOOTING

Commode Veers Right/Left	Sluggish Turn or Performance	Caster Flutter	Squeaks and Rattles	Looseness in Chair	Solutions
	X	X	X	X	Check for loose nuts and bolts
X		X			Tente Caster assembly in the front and rear (if applicable)
X					Check that rear wheels are equally spaced away from frame. (Self Propelled)



## FRONT RIGGINGS

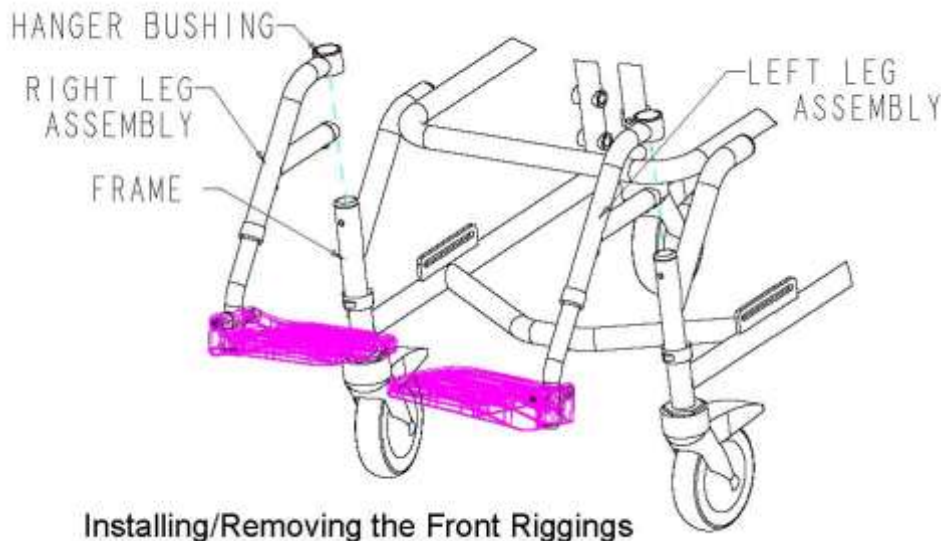
### WARNING

After ANY adjustments, repair or service and BEFORE use, make sure all attaching hardware is tightened securely – otherwise injury or damage may occur.

### INSTALLING/REMOVING THE FRONT RIGGINGS

#### Installing:

- 1 Place the front rigging assembly parallel to the commode pointing outwards.
- 2 Insert the bushing on the commode hanger into the top opening of the frame front.
- 3 The footrest extension is attached to the front of the footrest extension which is welded to the frame front.
- 4 E
- 5 F



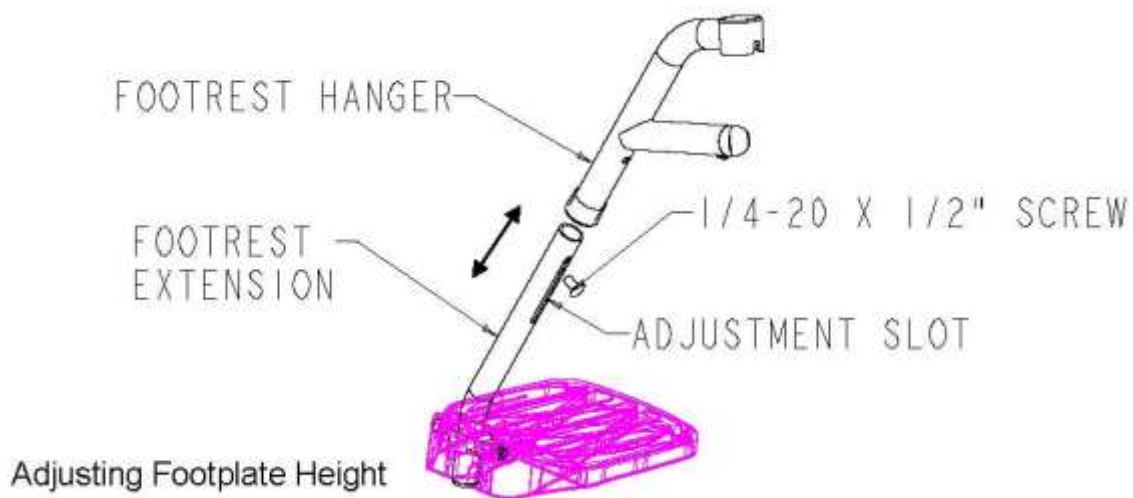
Installing/Removing the Front Riggings

#### Removing:

- 1 Lift the front rigging vertically up such that the hanger bushing clears the frame front pin.
- 2 The rigging should be placed near the commode so when needed it maybe placed back onto the commode
- 3 Repeat this procedure with the other front rigging assembly.

### ADJUSTING FOOTPLATE HEIGHT

- 1 Remove the front rigging assembly. Refer to INSTALLING/REMOVING THE FRONT RIGGING in this section of the manual.
- 2 Loosen the 1/420 x 1/2" socket head button screw which fastens the footrest hanger to the footrest extension. Slide the footrest extension up or down to desired height. There should be approximately 23/8" of range for the footrest extension.
- 3 Retighten socket head button screw.
- 4 Repeat this procedure with the other footplate assembly.



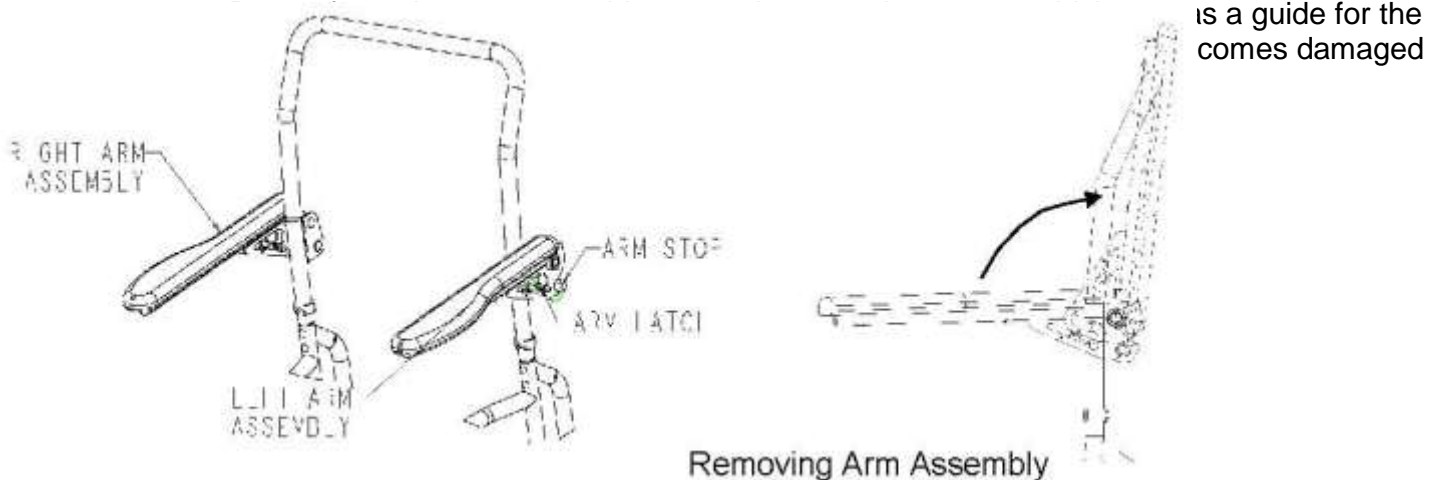
## ARMS

### WARNING

After ANY adjustments, repair or service and BEFORE use, make sure all attaching hardware is tightened securely – otherwise injury or damage may occur.

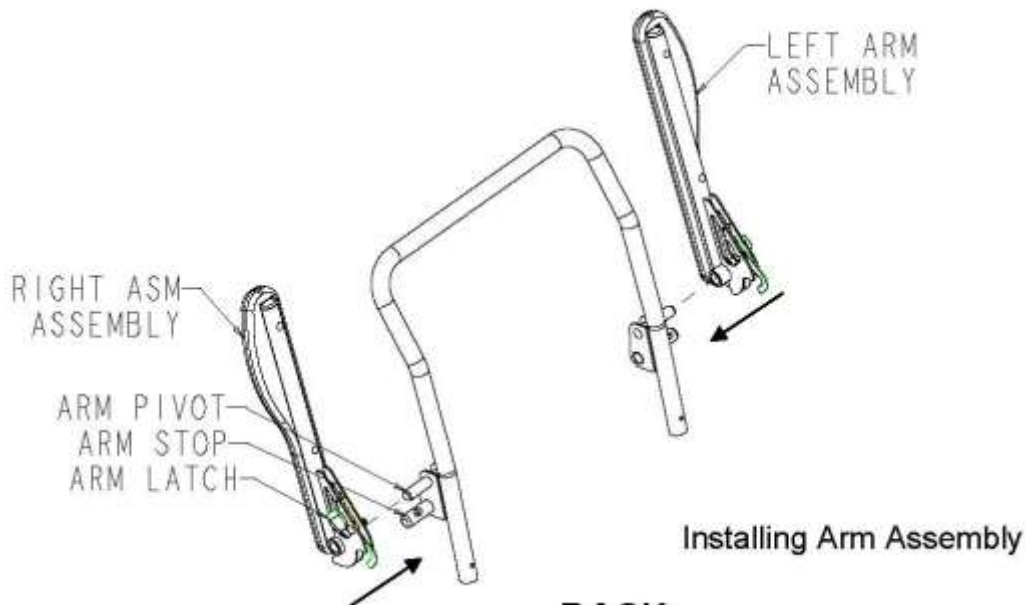
### REMOVING ARM ASSEMBLY

- 1 Lift the arm latch up with index finger such that the arm assembly is able to rotate
- 2 Rotate the arm assembly upwards to the position show in the figure in lower right corner.
- 3 At this point the arm assembly should come to a stop. Gently slide the arm assembly towards your body and you should be able to see the arm assembly out come from the arm pivot rod.



## INSTALLING ARM ASSEMBLY

- 1 Orient the arm assembly in a manner such that the arm latch and arm pads are oriented away from the back frame as shown below
- 2 Gently slide the arm assembly onto the arm pivot rod until it comes to a stop.
- 3 One should notice that the space between the two metal plates on the arm body should line up with the nylon spacer.
- 4 Do not force the arm assembly inwards as there a nylon spacer which acts as a guide for the arm while it is rotating and keeps the arm in place. Note: If the nylon spacer becomes damaged then it needs to be replaced because it could cause problems for the end user.
- 5 Gently rotate the arm assembly downwards until the arm assembly comes to rest. One gaged with the arm



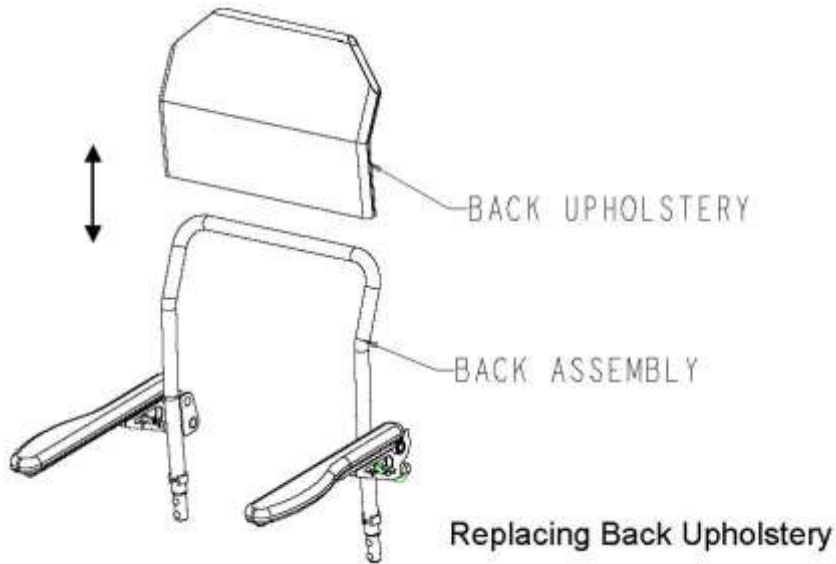
BACK

## WARNING

After ANY adjustments, repair or service and BEFORE use, make sure all attaching hardware is tightened securely – otherwise injury or damage may occur.

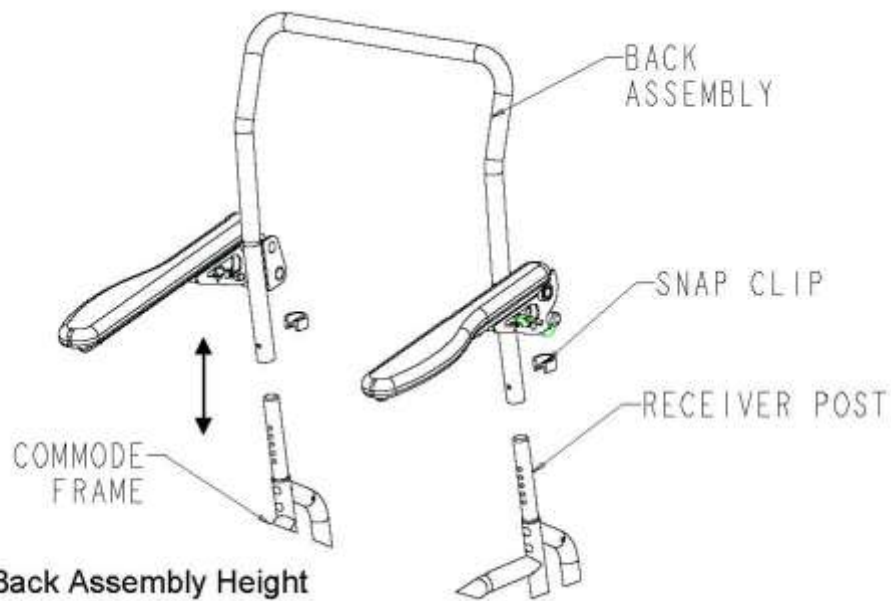
## REPLACING THE BACK UPHOLSTERY

- 1 Gently grasp the back upholstery from the sides and slide the upholstery up the back assembly until the upholstery becomes loose and is independent from the commode.
- 2 Gently grasp the new back upholstery from the sides and slide the upholstery down the back assembly until the top of the upholstery lines up with the top of the back assembly. One should also notice that the bends at the top of the back assembly should be visible through the cutouts on either side of the back upholstery.



### ADJUSTING BACK ASSEMBLY HEIGHT

- 1 Remove the snap clip on both sides of the back assembly
- 2 Adjust the position of the back assembly to the desired height on the receiver post and hold the back assembly in place.



o the receiver  
such that the

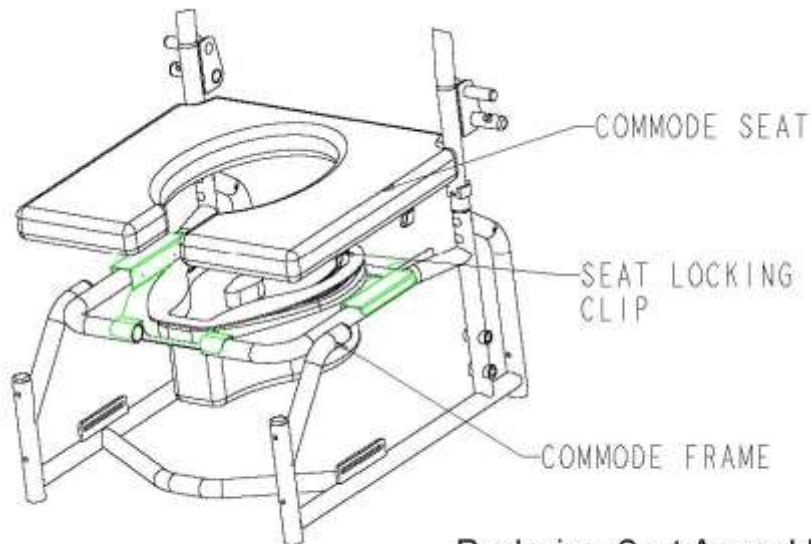
### SEAT

#### WARNING

After ANY adjustments, repair or service and BEFORE use, make sure all attaching hardware is tightened securely – otherwise injury or damage may occur.

## REPLACING SEAT ASSEMBLY

- 1 Gently grasp the seat assembly from the sides and pull upwards to release the seat locking clips from the commode frame tubing such that the seat assembly becomes independent from the commode.
- 2 Gently grasp the new seat assembly from the sides and line up the approximate location of the seat locking clips with their respective frame tubing that they will 'lock' onto.
- 3 Push the seat assembly down onto the frame and ensure that the commode seat opening is oriented in the manner shown below. The seat locking clip should 'lock' onto the frame tubing. The commode seat assembly should be 'snug' in place and should not be loose.
- 4 n the potty receiver.



Replacing Seat Assembly

## POTTY

### WARNING

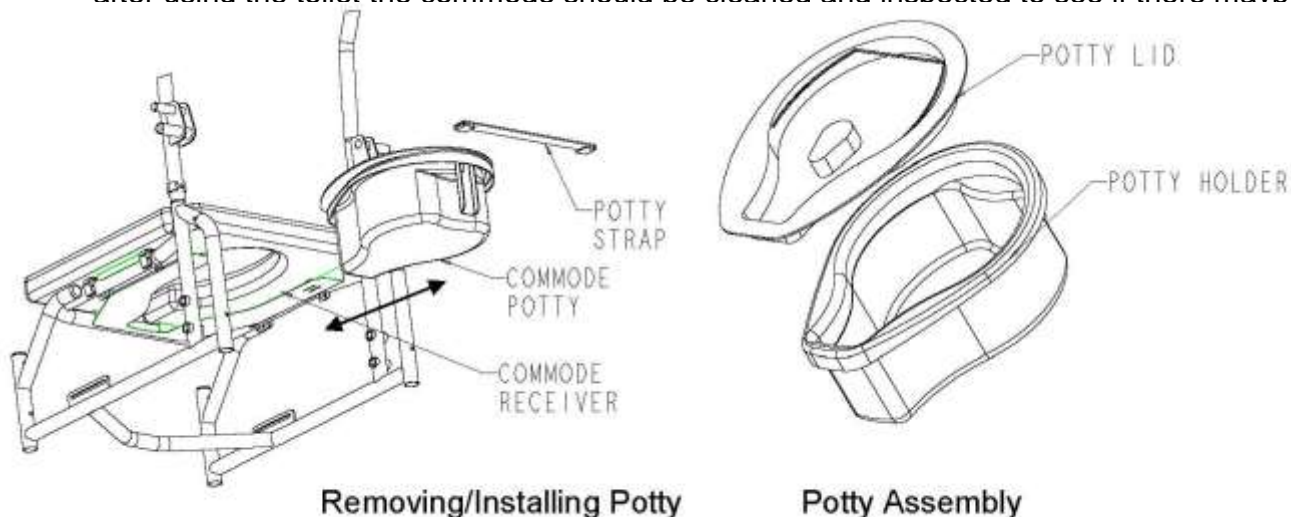
After ANY adjustments, repair or service and BEFORE use, make sure all attaching hardware is tightened securely – otherwise injury or damage may occur.

### REMOVING POTTY

1. Turn the commode around so that one can see the back of the commode and potty.
2. Ensure the wheel or caster locks are engaged before removing potty.
3. Open one side of the Velcro potty strap located on the potty receiver.
4. Gently grasp the handle of the potty and slide the potty out from the potty receiver in a direction away from the commode.
5. Place the lid on the potty as shown below and ensure the lid and potty properly assemble together. The potty lid handle should be oriented vertical up to ensure that the potty assembly does not fall when it is picked up.

6. Dispose the contents of the potty in the washroom and properly sanitize the potty assembly before placing the potty back into the potty receiver.

Note: If the user wants to use the commode with a toilet instead of with the potty then one has to remove the potty receiver and potty. First one has to remove the commode seat as describe in the section REPLACING SEAT ASSEMBLY and then remove the potty receiver and potty. Finally after using the toilet the commode should be cleaned and inspected to see if there maybe human ack onto



## INSTALLING POTTY

### Potty Assembly

- 1 Turn the commode around so that one can see the back of the commode and potty.
- 2 Ensure the wheel or caster locks are engaged before installing potty.
- 3 Open one side of the Velcro potty strap located on the potty receiver.
- 4 Remove the lid on the potty (if any) and ensure that the potty is properly sanitized.
- 5 Gently grasp the handle of the potty and slide the potty into the potty receiver in a direction towards the commode.
- 6 Close the Velcro strap and ensure the potty is properly set in place with no means of falling from the commode if it is pushed.

## CASTERS

### WARNING

After ANY adjustments, repair or service and BEFORE use, make sure all attaching hardware is tightened securely – otherwise injury or damage may occur.

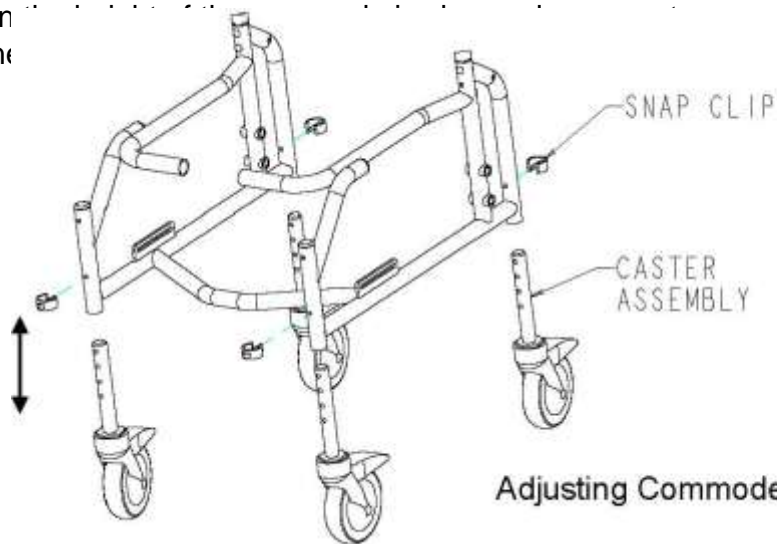
The Tente casters used on the commode have a unique locking mechanism which is located in each wheel. The mechanism allows the casters to be independently locked in place so that

the commode does not move. In most instances one has to only the front two casters for the attendant propelled version and use the rear wheel locks on the self propelled version.

#### ADJUSTING COMMODE SEAT HEIGHT

- 1 Remove the two snap clips located on the frame front
- 2 Adjust the position of the caster assembly to the desired height and hold the caster assembly in place.
- 3 Place the snap clip back into the frame front to secure the caster assembly to the frame. Ensure the hole used by the snap clip is at the same position on both sides such that the frame is straight and not at an angle.
- 4 Remove the two snap clips located on the frame back
- 5 Adjust the position of the caster assembly to the same position as the front casters and hold the casters in place.
- 6 Place the snap clips back into the frame back to secure the caster assembly to the frame. Ensure the hole used by the snap clip is at the same position on both sides such that the frame is straight and not at an angle.

Note: When  
and that one  
user.



Je is stable  
or the end

#### REAR WHEELS SELF PROPELLED ONLY

##### WARNING

After ANY adjustments, repair or service and BEFORE use, make sure all attaching hardware is tightened securely – otherwise injury or damage may occur.

#### REMOVING/INSTALLING THE REAR WHEELS

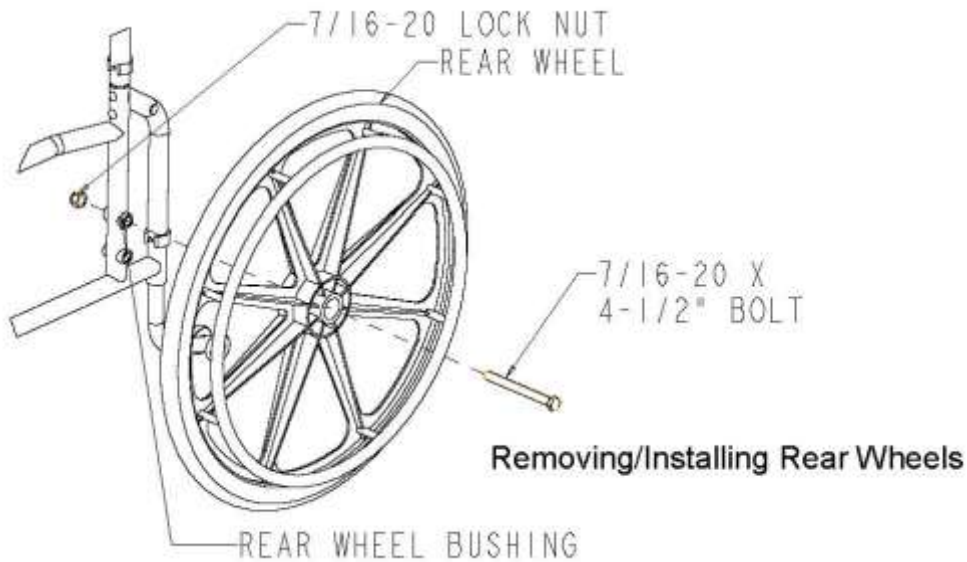
##### WARNING

If changing the size of the rear wheel or a change in the seat to floor height is desired, this procedure MUST be performed by a qualified technician.

## REMOVING REAR WHEEL

- 1 Use a wrench to remove the 7/1620 lock nut holding the rear wheel in place.
- 2 Gently pull the 7/1620 x 4 1/2" bolt out from the bearings located in the rear wheel.
- 3 To reinstall the rear wheel onto the commode, reverse steps 1 to 2.

4  
5  
6  
sect



se refer to the

## USING THE WHEEL LOCKS – SELF PROPELLED ONLY

### WARNING

DO NOT attempt to stop a moving commode with the wheel locks. WHEEL LOCKS ARE NOT BRAKES – otherwise injury or damage may occur.

- 1 Ensure the commode is not moving before engaging the wheel locks.
- 2 Perform one (1) of the following: PushtoLock – to engage, push the wheel lock handle forward
- 3 Disengage the wheel locks by reversing STEP 2.

## ADJUSTING THE PATIENT OPERATED WHEEL LOCKS

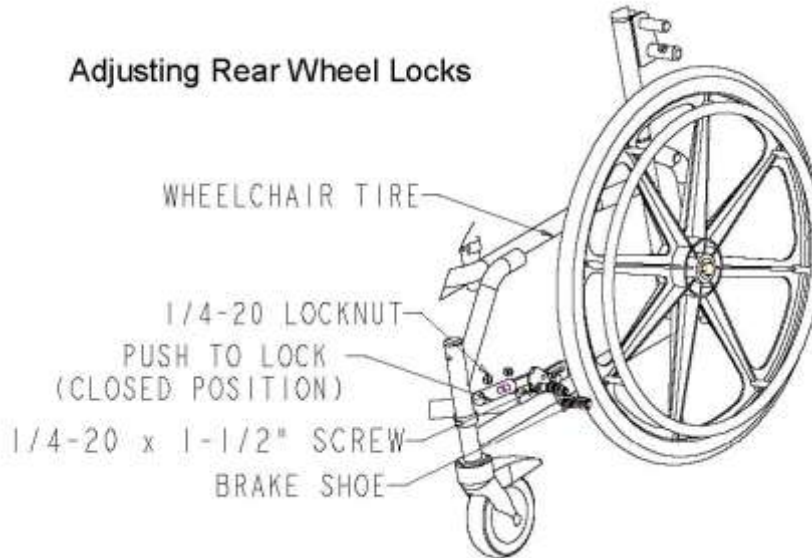
1. Disengage the wheel locks.
2. Loosen the two (2) 1/420 x 1 1/2" socket screws shown in the below figure that secure the wheel lock to the commode frame.



3. Reposition the wheel lock so that when engaged, the wheel lock brake shoe embeds the tire 1/8" (3/16" for pneumatic tires) and HOLDS the occupied commode in place when pushed.
4. Securely tighten the two (2) 1/4-20 X 1 1/2" socket screws securing the wheel lock to the commode frame.
5. Engage the wheel lock.
6. Measure the distance the wheel lock is embedded into the tire
7. Repeat STEPS 1 to 6 until the wheel lock brake shoe embeds the tire and HOLDS the occupier and ensure the occupied

occupier  
commoc

### Adjusting Rear Wheel Locks



## ANTITIPPERS – SELF PROPELLED ONLY

### WARNING

After ANY adjustments, repair or service and BEFORE use, make sure all attaching hardware is tightened securely – otherwise injury or damage may occur.

### INSTALLING/ADJUSTING THE ANTITIPPERS

### WARNING

Antitippers are specific to the different seatto floor angles and/or seattofloor heights for self propelled commodes only. Refer to the chart in this section of the manual for correct usage and adjustment. If these requirements CANNOT be achieved, DO NOT use the commode. Contact a qualified technician. If changing the seattofloor height with or without a change to seattofloor angle, the correct antitippers MUST be used to maintain a 1 1/2" to 2" ground clearance.

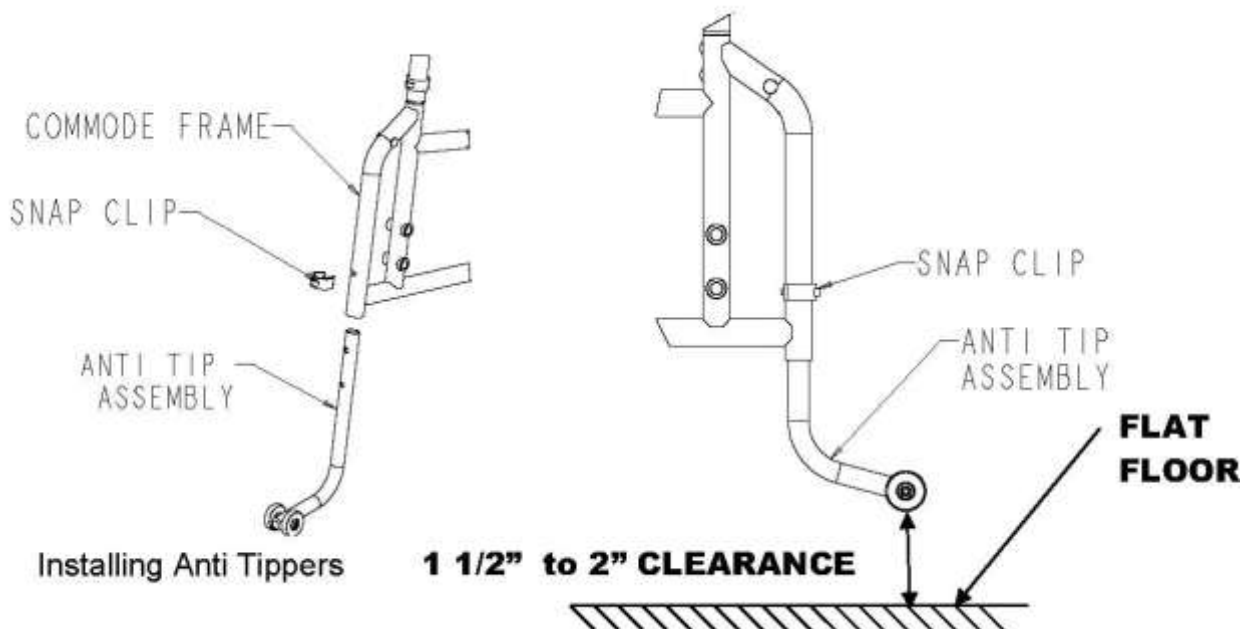
Seattofloor angle of 3 degrees to 6 degrees: if so equipped, antitippers MUST be attached at all times. In as much as the antitippers are an option on this commode (you may order with or without the antitippers), Future Mobility Healthcare Inc. strongly recommends ordering the antitippers as a safeguard for the commode user.

Antitippers MUST be fully engaged and snap clips fully protruding out of adjustment holes.

Ensure both antitippers are adjusted to the same mounting hole.

## INSTALLING ANTITIPPERS

- 1 Insert the Anti Tip assembly into the bottom of the commode frame where the caster position is for the attendant propelled commode.
- 2 Line up the hole in the back of the frame with one of the holes on the anti tip assembly.
- 3 Measure the distance between the bottom of the antitipper wheels and the ground/floor.
- 4 If the distance between the bottom of the antitipper wheels and the ground/floor is not 1 ½ " to 2", adjust the location of the antitippers and line up another hole on the anti tip assembly with the hole in the back of the frame.
- 5 When the proper location of the anti tip assembly is found, push a snap clip into the frame hole and into the anti assembly to hold it in place. As shown in the figure below.
- 6 Repeat steps 15 for other antitip assembly.



# SEAT TO FLOOR

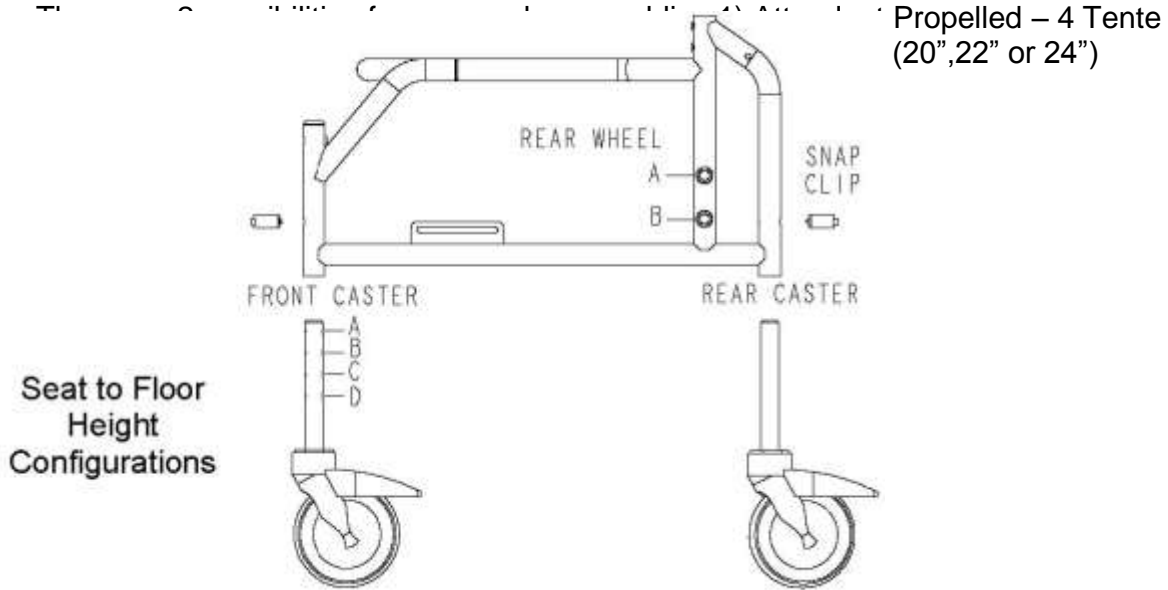
## WARNING

After ANY adjustments, repair or service and BEFORE use, make sure all attaching hardware is tightened securely – otherwise injury or damage may occur.

### SEAT TO FLOOR

- 1 Follow the values in the table below to achieve the desired seat to floor height. The Front Caster and Rear Caster Should be set to the same height
- 2 Ensure that no weight is on the commode while performing the operations
- 3 Ensure after changing the seat to floor height that the commode is still operational and that no wheel flutter or instability occurs.
- 4

Ca



### SEATTOFLOOR HEIGHT MATRIX

COMMODE TYPE	STF – FRONT (INCHES)	CASTER HOLE	REAR WHEEL HOLE	REAR WHEEL SIZE (INCHES)	STF – REAR (INCHES)
ATTENDANT PROPELLED	16.50	D	N/A	N/A	16.50
ATTENDANT PROPELLED	17.50	C	N/A	N/A	17.50
ATTENDANT PROPELLED	18.50	B	N/A	N/A	18.50
ATTENDANT PROPELLED	19.50	A	N/A	N/A	19.50
SELF PROPELLED	16.25	D	A	20	15.75
SELF PROPELLED	17.25	C	A	22	16.50
SELF PROPELLED	18.25	B	B	20	17.75
SELF PROPELLED	18.25	B	A	24	17.50
SELF PROPELLED	19.25	A	B	22	18.50
SELF PROPELLED	19.50	A	B	24	19.25

## WARRANTY

This warranty is extended only to the original purchaser/user of our products.

Future Mobility Healthcare Inc. warrants its Aqua Rehab Commode to be free from defects in materials and workmanship for two (2) years from the date of purchase for the steel frame while the stainless steel frame is warranted for five (5) years from the original date of purchase. The back upholstery and commode seat is warranted for 90 days from the date of purchase. All other parts and hardware are warranted for one (1) year from the date of purchase. If within this warranty period the product shall be proven to be defective, such product shall be repaired or replaced, at Future Mobility Healthcare Inc. discretion. Future Mobility Healthcare Inc. sole obligation and your exclusive remedy under this warranty shall be limited to the repair and/or replacement of the product or its parts. This warranty does not include any labour or shipping charges incurred in replacement part installation or repair of any product.

For warranty service, please contact the dealer from whom you purchased your Future Mobility Healthcare Inc. product. In the event you do not receive satisfactory warranty service, please write directly to Future Mobility Healthcare Inc. at 3223 Orlando Drive, Mississauga, Ontario, L4V 1C5. Provide the dealer's name, address, model number, date of purchase and indicate the nature of the defect.

DO NOT return products to Future Mobility Healthcare Inc. without our prior consent. The defective unit or parts must be returned for warranty inspection within thirty (30) days of the return authorization date. (Future Mobility Healthcare Inc. will issue a return authorization number). Please prepay all shipping charges; C.O.D. shipments will be refused.

**LIMITATIONS and EXCLUSIONS:** This warranty shall not apply to problems arising from normal wear or failure to adhere to the enclosed instructions. Products subjected to negligence, accident, improper usage, maintenance or storage; or products modified without Future Mobility Healthcare Inc. written consent including, but not limited to: modification through the use of any unauthorized parts or attachments; products damaged by reason or repairs made to any component without the specific consent of Future Mobility Healthcare Inc., or products repaired by anyone other than a Future Mobility Products dealer. Such evaluation shall be determined by Future Mobility Healthcare Inc..

The foregoing warranty is exclusive and in lieu of all other expressed warranties. It shall not extend beyond the duration of the expressed warranty provided herein and the remedy for violations of any implied warranty shall be limited to repair or replacement of the defective product pursuant to the terms contained herein. Future Mobility Healthcare Inc. shall not be liable for any consequential or incidental damages whatsoever.

This warranty shall be extended to comply with all provincial laws and requirements.

Future Mobility Products - One Buffalo River Place, Buffalo, NY 14210 1-855-938-8873  
1-716-783-9130, fax 1-716-783-9236

[www.futuremobility.com](http://www.futuremobility.com)