



Account Information		Order Date: _____	
Account #:	_____	P.O.#	_____
Business Name:	_____	Phone:	_____
Ship to Address:	_____	City:	_____
Fax:	_____	State:	_____ Zip Code: _____
Contact:	_____		

① FRAME TYPE

- Commode Attendant Propelled Stainless Steel (white)----- 107C19 \$1,750
- Commode Attendant Propelled Stainless Steel (electro polish) 107C20 \$2,350
- Commode Self Propelled Stainless Steel (white)----- 107C19S \$2,000
- Commode Self Propelled Stainless Steel (electro polish)----- 107C20S \$2,600

② SEAT WIDTH

- 17" Seat Width -----107SW17 No Charge
- 20" Seat Width -----107SW20 \$150
- 22" Seat Width -----107SW22 \$200

③ SEAT DEPTH

- 17" Seat Depth -----107SD17 No Charge

④ SEAT-TO-FLOOR HEIGHT (on attendant propelled commode)

- 16.5" ----- 107SF09 No Charge
- 17.5" ----- 107SF11 Standard
- 18.5" ----- 107SF13 No Charge
- 19.5" ----- 107SF15 No Charge

⑤ CASTER SIZE

- 5" x 2" PolyPropylene Caster -----107CW03 Standard

⑥ CASTER TYPE

- Total Lock----- 107CT01 Standard

⑦ WHEEL SIZE for Self Propelled Commode

- A 20" Composite Urethane Tires -----107RW03 No Charge
- B 22" Composite Urethane Tires -----107RW04 Standard
- C 24" Composite Urethane Tires -----107RW05 No Charge

⑧ HANDRIM OPTIONS for Self Propelled Commode

- Chrome Plated ----- 107HR1 Standard
- Plastic Coated ----- 107HR2 \$160
- Omit Handrims ----- 107HR3 ess net \$15

⑨ ARM TYPE

- Cantilever Arm----- 107AR29 Standard
- Flip Back Fixed Height----- 107AR23 \$250

⑩ PUSH OPTIONS

- Stroller Handles ----- 107SH1 Standard

⑪ BACK OPTIONS

- Slip on Mesh Back Support ----- 107BK46 Standard

Features:

- Seat Width 17"
- Seat Depth 17"
- Adjustable Height Back
- Slip on Back Support
- Seat to Floor Height 16.5" to 19.5" adj. without tools
on Attendant Propelled w/4 casters
- Casters 5" - Total Lock - Stainless Steel
- Cantilever Fixed Height Arm Supports
- Removable Seat
- Removable Pan Support
- Removable Pan with lid
- Choice of 2 finishes - white powdercoat or electropolish



FOOTNOTES:

- A. Seat to Floor with 20" wheels is 16" or 18"
- B. Seat to Floor with 22" wheels is 17" or 19"
- C. Seat to Floor with 24" wheels is 18" or 20"

12 SEAT OPTIONS

- Removable Seat ----- 107SO1 Standard
- Removable Pan Support ----- 107SO2 Standard
- Removable Pan with Lid ----- 107SO3 Standard

13 FRONT RIGGING

- 50 Degree Swingaway Stainless Steel (white)----- 107FR13 \$195
- 50 Degree Swingaway Stainless Steel (electro polish)----- 107FR24 \$295
- 70 Degree Swingaway Stainless Steel (white)----- 107FR22 \$210
- 70 Degree Swingaway Stainless Steel (electro polish)----- 107FR23 \$310

14 FOOTPLATE TYPE

- Composite Flip-Up Footplates----- 107FP02 No Charge
- Composite Adj Angle Flip-Up Footplate Spring Return----- 107FP04 \$150

15 FOOTREST/LEGREST ACCESSORIES

- Heel Loops ----- 107FA01 No Charge
- Omit Heel Loops ----- 107FA02 No Charge

16 WHEEL LOCKS for Self Propelled Commode

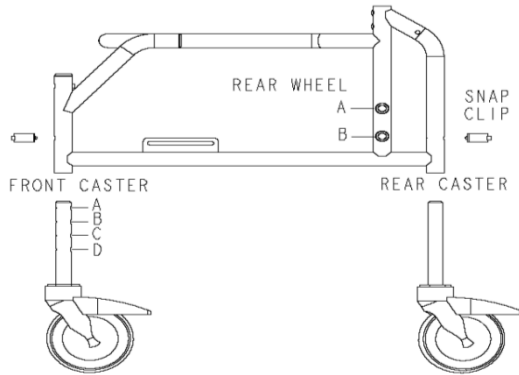
- Push-to-Lock Wheel Lock ----- 107WL1 Standard
- Wheel Lock Extension ----- 107WL3 \$35

17 ANTI TIP

- Rear Anti-Tippers ----- 107MA22 Standard

18 MISCELLANEOUS ACCESSORIES for Self Propelled Commode

- Quick Release Axles ----- 107AL1 \$110



SEAT-TO-FLOOR HEIGHT MATRIX					
COMMODE TYPE	STF	CASTER HOLE	REAR WHEEL	REAR WHEEL SIZE	STF
	FRONT		HOLE		REAR
ATTENDANT PROP.	16.50	D	N/A	N/A	16.50
ATTENDANT PROP.	17.50	C	N/A	N/A	17.50
ATTENDANT PROP.	18.50	B	N/A	N/A	18.50
ATTENDANT PROP.	19.50	A	N/A	N/A	19.50
SELF PROPELLED	16.25	D	A	20	15.75
SELF PROPELLED	17.25	C	A	22	16.50
SELF PROPELLED	18.25	B	B	20	17.75
SELF PROPELLED	18.25	B	A	24	17.50
SELF PROPELLED	19.25	A	B	22	18.50
SELF PROPELLED	19.50	A	B	24	19.25

WARRANTY
 Future Mobility Healthcare Inc. warrants its Aqua Commode to be free from defects in materials and workmanship for one (1) year from the date of purchase. The frame is warranted for two (2) years of the original purchaser/user and the upholstery for 90 days, upon normal usage by original purchaser. If within this warranty period the product shall be proven to be defective, such product shall be repaired or replaced, at the discretion of Future Mobility Healthcare Inc.