

Galaxy *lite*

Owner's Operations Manual



GALAXY LITE – REV 4

Galaxy Lite Operating Instructions

NOTE: Check all parts for shipping damages before using.
In case of damage, do NOT use the equipment.
Contact the Equipment Supplier for further instructions.

WARNING

DO NOT install this equipment without first reading and understanding this instruction booklet. If you are unable to understand these instructions, contact a healthcare professional, dealer or technical personnel before attempting to install this equipment - otherwise, injury or damage may occur.

NOTICE

Information contained within this document is subject to change without notice.

TABLE OF CONTENTS

GALAXY LITE SPECIFICATIONS	4
GALAXY LITE LABELS.....	6
GENERAL GUIDELINES.....	7
UNFOLDING AND FOLDING THE WHEELCHAIR.....	9
SAFETY INSPECTION CHECKLIST	10
TROUBLESHOOTING.....	11
FRONT RIGGINGS	11
ARMS	13
SEAT AND BACK	14
REAR WHEELS	17
FRONT CASTERS.....	19
ANTITIPPERS/WHEEL LOCKS.....	24

GALAXY LITE SPECIFICATIONS

Chair Size

- Overall Max. Width (12" folded) 23" ~ 29"
- Overall Max. Length 43"
- Overall Max. Height 38"
- Weight ≤ 32 lbs.

Weight Capacity (client weight)

- 250 lbs.

Seat Widths

- 14", 15", 16", 17", 18", 19" & 20"

Seat Depths

- 15", 16", 17", 18", 19" & 20"

Seat to Floor Heights

- Front seat to floor 13" – 19 1/2" using 4", 5", 6" or 7" casters
- Rear seat to floor 12 1/2" – 18 1/4"
- Axle plate – fixed or offset
- Quickrelease or fixed rear wheels
- Caster journal – angle adjustable
- Rear wheels adjustment (Height)
- Rear wheels 20", 22" or 24"
- Two Types of Caster forks (Long and Extra Short)

Back Canes

- Fixed Back Low + High
- Depth, Angle adjustable – angles (6°, 0°, 6°, 12°, 18°, 24°, 30°)
- Push Handles 10° bend (Hi and Low heights)

Colors

Frame

- Black, Silver

Accessories

- Seat Belt
- Airline Buckle Seat Positioning Strap
- Auto Seat Positioning Strap
- Wheel Lock extensions 6"
- Pull to Lock Wheel Lock
- Push to Lock Wheel Lock
- Spoke Guards

- Gel/foam arm pads
- Side Storage Pocket

Other Common Specifications

Arms – TSTYLE 17" GEL/FOAM, 14" and 10" VINYL

- 16 1/2" long
- 3" wide
- Adjustable heights from 9" to 13" (1/2" increments)
- Rounded at front and tapered to back
- Softer/plush

Optional Tubular Sports Arm for clients who are involved in sports or other physical activities

Foot/Leg Supports

- Swingaway, detachable front rigging (Center Pivot – Dual Swingaway)
 - ○ 60°, 70°, 80° or 90°
 - ○ heel loops standard
 - ○ calf straps
 - ○ H straps
- Footplates, height adjustable along swing away
 - ○ Composite
 - ○ Aluminium
 - ○ Angle flipup
- 2 rear (quick removable)

AntiTIPS plastic coated and stainless steel

Handrim Options

GALAXY LITE LABELS

WEIGHT CAPACITY
250 LBS. (114 kgs)
REFER TO OWNER'S MANUAL

WARNING
KEEP FINGERS OUT OF
ARMS WAY WHEN
FOLDING CHAIR

WARNING
DO NOT OPERATE WITHOUT
THE ANTI-TIP TUBES
INSTALLED

GENERAL GUIDELINES

STABILITY

WARNING

The seat depth, back height/angle, seat angle, size/position of the front casters, size/position of the rear wheels, antitipper model, as well as the user condition directly relate to the stability of the wheelchair. Any change to one (1) or any combination of the ten (10) criteria may cause the wheelchair to decrease in stability. These adjustments **MUST** be performed by a qualified technician.

The various seattofloor heights require specific settings depending on rear wheel size, rear wheel position, front caster size/position and desired seattofloor angle. These adjustments **MUST** be performed by a qualified technician.

ANTITIPPERS

WARNING

In as much as the antitippers are an option on this wheelchair (you may order with or without the antitippers), Future Mobility Healthcare Inc. strongly recommends ordering the antitippers as a safeguard for the wheelchair user.

OPERATING INFORMATION

WARNING

Unless otherwise noted, all service and adjustment should be performed while the wheelchair is unoccupied.

To determine and establish your particular safety limits, practice bending, reaching and transferring activities in several combinations in the presence of a qualified healthcare professional **BEFORE** attempting active use of the wheelchair.

Always verify that hand grips on the rear cane are secure **PRIOR** to use when an attendant is used to propel or lift the chair. Check for any signs of looseness or deterioration and if found, contact a qualified technician. **DO NOT** attempt to move the wheelchair by using the hand grips if they are found to be unsecure or have deteriorated.

- **DO NOT** sit or transfer into the wheelchair unless it is fully open and the seat frame rails are fully seated into the side frame Hblocks.
- **DO NOT TRAVERSE, CLIMB or GO DOWN** ramps or slopes greater than 9 degrees
- **DO NOT** attempt to move up or down an incline with a water, ice or oil film

- DO NOT operate on roads, streets or highways
- DO NOT attempt to ride over curbs or obstacles. Doing so may cause your wheelchair to tip over and cause bodily harm to you or damage to the wheelchair.
- DO NOT attempt to reach objects if you have to move forward in the seat.
- DO NOT attempt to reach objects if you have to pick them up from the floor by reaching down between your knees.
- DO NOT lean over the top of the back upholstery. This will change your center of gravity and may cause you to tip over.
- DO NOT shift your weight or sitting position toward direction you are reaching as the wheelchair may tip over.
- WHEEL LOCKS ARE NOT BRAKES. DO NOT attempt to stop a moving wheelchair with wheel locks.
- DO NOT tip the wheelchair without assistance.
- DO NOT use an escalator to move a wheelchair between floors. Serious bodily injury may occur.
- Before attempting to transfer in and out of the wheelchair, every precaution should be taken to reduce the gap distance. Turn both casters parallel to the object you are transferring onto. When transferring to and from the wheelchair, ALWAYS ENGAGE BOTH WHEEL LOCKS.
- DO NOT use parts, accessories or adapters other than those authorized by Future Mobility Healthcare Inc. Otherwise, the warranty is void.
- DO NOT attempt to lift the wheelchair by any removable (detachable) part. Lifting by means of any removable (detachable) parts of a wheelchair may result in injury to the user and/or assistant or damage to the wheelchair.
- DO NOT stand on the frame of the wheelchair.
- DO NOT use the footplate as a platform. When getting in or out of the wheelchair, make sure that the footplates are in the upward position.

WEIGHT TRAINING

WARNING

Future Mobility Healthcare Inc. DOES NOT recommend the use of its wheelchairs as a weight training apparatus. Future Mobility Healthcare Inc. wheelchairs have NOT been designed or tested as a seat for any kind of weight training. If occupant uses said wheelchair as a weight training apparatus, Future Mobility Healthcare Inc. shall NOT be liable for bodily injury or damage to the wheelchair and the warranty is void.

WEIGHT LIMITATION

WARNING

The Galaxy Lite wheelchair has a weight limitation of 250 lbs. (114kg).

UNFOLDING AND FOLDING THE WHEELCHAIR

WARNING

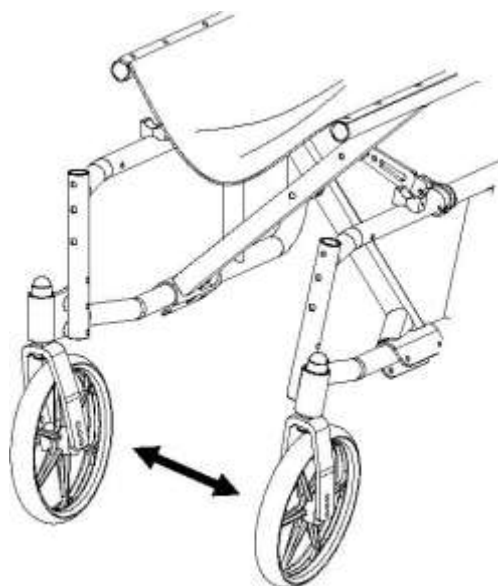
Keep hands and fingers clear of moving parts to avoid injury. DO NOT sit or transfer into the wheelchair unless it is fully open and the seat frame rails are fully seated into the side frame H-blocks.

Unfolding:

- 1 Open the wheelchair by grasping the armrest of the wheelchair closest to you
- 2 Tilt the wheelchair towards you (raising the opposite wheel and caster off the ground/floor).
- 3 Push downward on the TOP of the seat rail closest to you where the seat upholstery is attached until the wheelchair is fully open and locked into Hblocks.
- 4 Engage both wheel locks, open the footrest/legrest for clearance and transfer into the wheelchair.

Folding "Hammock or Sling Seat" Models:

- 1 Swing footrest/legrest in locked position to the front of the wheelchair.
- 2 Pivot footplates upward to vertical position.
- 3 With both hands, grasp the middle of the seat upholstery at the front and back edge and lift up.
- 4 Continue to close the wheelchair by grasping the armrest furthest from you and pulling the armrest towards you. **WARNING:** Ensure that your fingers do not get caught in the frame while the wheelchair is being folded.



Unfolding the Wheelchair

SAFETY INSPECTION CHECKLIST

Initial adjustments should be made to suit your personal body structure needs and preference. Thereafter follow these maintenance procedures:

Item	Initially	Weekly	Monthly	Periodically
GENERAL • Wheelchair rolls straight (no excessive drag or pull to one side)	X		X	
FRAME AND CROSSBRACES • Inspect for loose or missing hardware • Inspect for bent frame or crossbraces	X X			X X
WHEEL LOCKS • Do not interfere with tires when rolling • Pivot points free of wear and looseness • Wheel locks easy to engage • Wheel locks prevent chair from moving when engaged	X X X X	X	X X	X
SEAT AND BACK • Inspect for rips or sagging • Inspect for loose or broken hardware • Inspect cane and hand grips for wear/looseness	X X X		X X	X
TIRES • Inspect for flat spots, cracks and wear Caution: as with any vehicle, the wheels and tires should be checked periodically for cracks and wear and should be replaced.	X	X		X
REAR WHEELS • If equipped, quickrelease axles lock properly • No excessive side movement or binding when lifted and spun • Inspect for cracked, bent or broken spokes	X X X	X X		X
HANDRIMS • Inspect for signs of rough edges or peeling	X			X
FRONT CASTERS/FORKS • Inspect axle assembly for proper tension by spinning caster; caster should come to a gradual stop • Adjust bearing system if wheel wobbles or binds to a stop. Ensure wheel bearings are clean and free of moisture. • Check headtube locknuts for tightness • Inspect casters for cracks and wear • Inspect for cracked, bent or broken spokes	X X X X X	X X	X X	X X
CLEANING • Clean upholstery and armrests	X			X

TROUBLESHOOTING

Chair Veers Right/Left	Galaxy Lite Wheels	Sluggish Turn or Performance	Caster Flutter	Squeaks and Rattles	Looseness in Chair	Solutions
		X	X	X	X	Check for loose nuts and bolts
X	X		X			Check caster headtube angle.
X	X					Check that rear wheels are equally spaced away from seat frame.

FRONT RIGGINGS

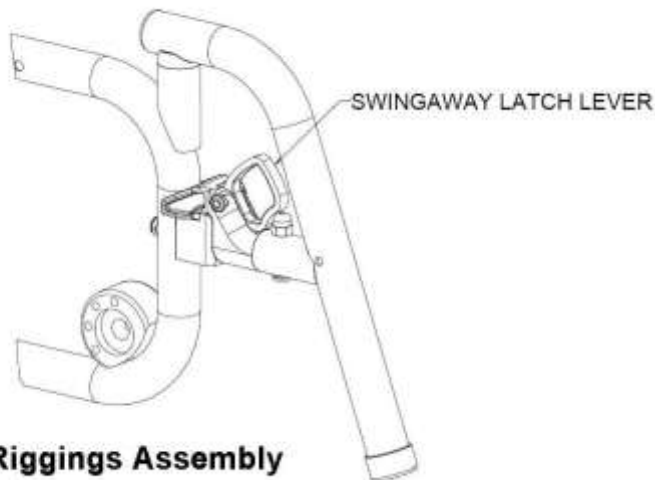
WARNING

After ANY adjustments, repair or service and BEFORE use, make sure all attaching hardware is tightened securely – otherwise injury or damage may occur.

INSTALLING/REMOVING THE FRONT RIGGINGS

Installing:

- 1 Place the front rigging assembly perpendicular to the wheelchair pointing outwards.
- 2 Insert the pivot plug on the swingaway into the top opening of the side frame.
- 3 At the same time line up the back curve of the swingaway latch assembly to the side frame radius.
- 4 Swing the front rigging assembly towards the inside the chair and the swingaway latch should snap into the latch housing.
- 5 Repeat this procedure for the other front rigging assembly.

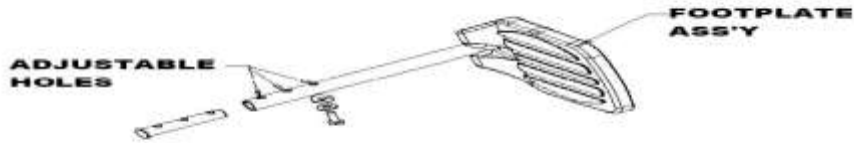


Removing:

- 1 Pull the swingaway latch lever upwards.
- 2 Rotate the front rigging assembly outward or inwards.
- 3 Lift the swingaway front rigging assembly off the side frame top opening.
- 4 Repeat this procedure for the other front rigging assembly.

ADJUSTING FOOTPLATE HEIGHT

- 1
- 2
- 3
- 4



HE FRONT

ed height.

Adjusting Footplate Height

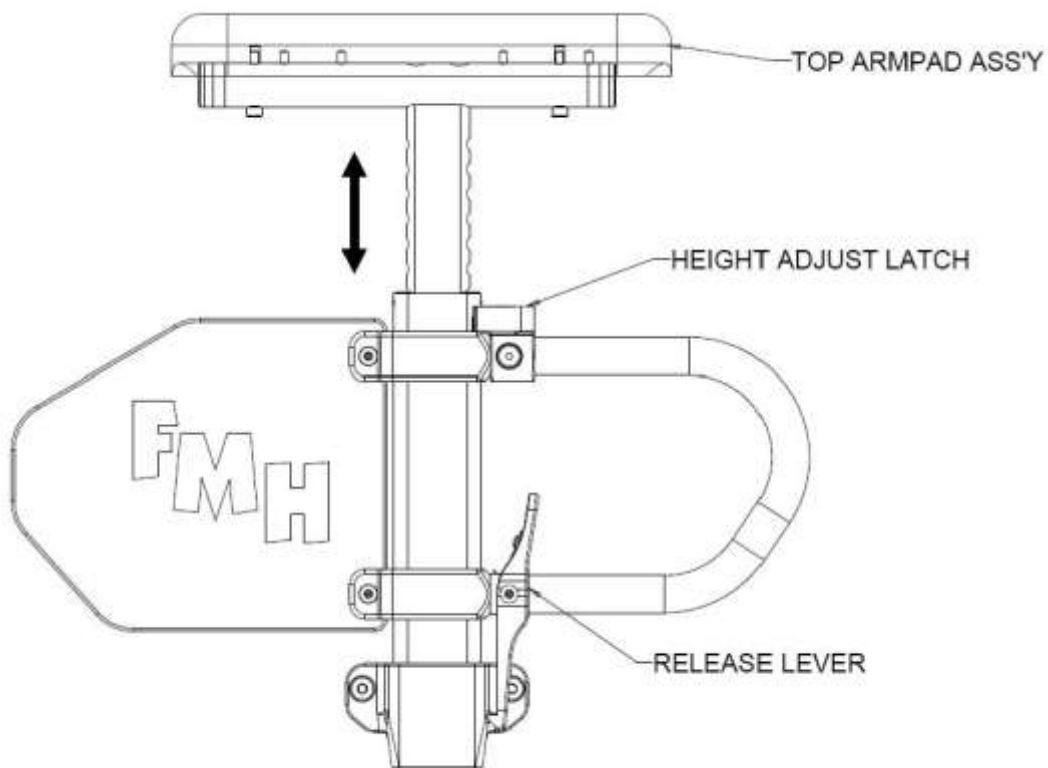
ARMS

WARNING

After ANY adjustments, repair or service and BEFORE use, make sure all attaching hardware is tightened securely – otherwise injury or damage may occur.

ADJUSTING TSTYLE ARM HEIGHT

- 1 Swing out the height adjustment latch lever to disengage the holding pin.
- 2 Lift armrest until desired position is acquired (ranges from 9"– 13" in ½" increments).
- 3 Swing in the height adjustment latch lever to engage the holding pin.
- 4 Repeat this procedure for the opposite Tstyle arm assembly.



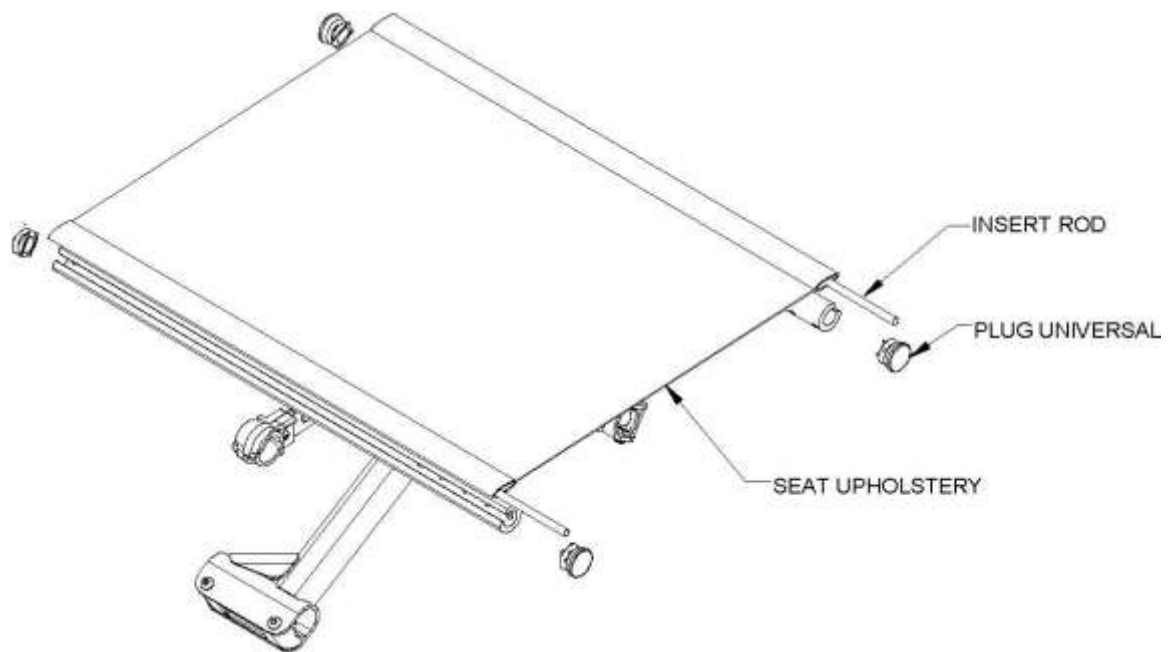
SEAT AND BACK

WARNING

After ANY adjustments, repair or service and BEFORE use, make sure all attaching hardware is tightened securely – otherwise injury or damage may occur.

REPLACING THE SEAT UPHOLSTERY

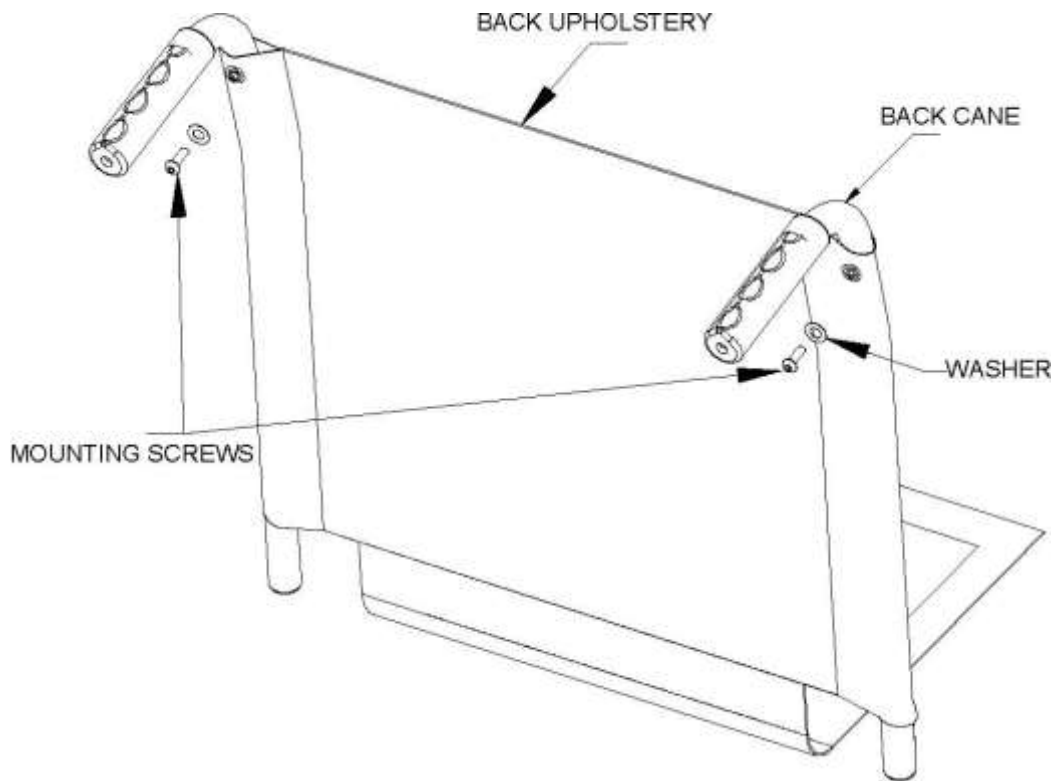
- 1 Remove the two (2) mounting screws from the front universal plugs.
- 2 Remove two (2) plugs from front end of the wheelchair.
- 3 Pull the existing seat upholstery along the seat rail away from the chair until it comes fully out.
- 4 If required reuse the insert rods on the NEW seat upholstery.
- 5 Install NEW seat upholstery by reversing steps 1 to 4.



Replacing Seat Upholstery

REPLACING THE BACK UPHOLSTERY

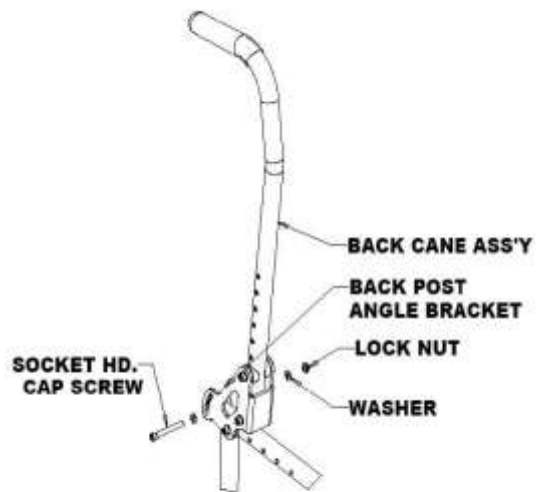
- 1 Remove the two (2) mounting screws and washers that secure the existing back upholstery to the back canes.
- 2 Remove the four (4) mounting screws, four (4) spacers and four (4) nuts which connect the back cane to side frame.
- 3 Pull the loose back canes out of the existing back upholstery.
- 4 Slide the NEW back upholstery along the back canes until the mounting holes are seen through the upholstery.
- 5 Insert the two (2) mounting screws and washers to secure the back upholstery to the back canes.
- 6 Slide the back cane and upholstery assembly through the backpost angle bracket.
- 7 Insert the four (4) mounting screws, four (4) spacers and four (4) nuts to connect the back cane to the side frame.
- 8 Use two (2) cable ties to attach the back upholstery to the backpost angle bracket.



Replacing Back Upholstery

ADJUSTING BACK CANE ANGLE

- 1 Remove the cap screw, locknut and washers that secure the slotted portion of the back post angle bracket to the lower frame.
 - 2 Firmly hold the back cane assembly and adjust the position of the back cane as desired.
 - 3 Place back the cap screw, locknut and washers to hold the back post angle bracket in place.
 - 4 Take note of the slot position of the back post angle bracket.
 - 5 Repeat this procedure with the other back post angle bracket and back cane.
-



Adjusting Back Cane Angle

REAR WHEELS

WARNING

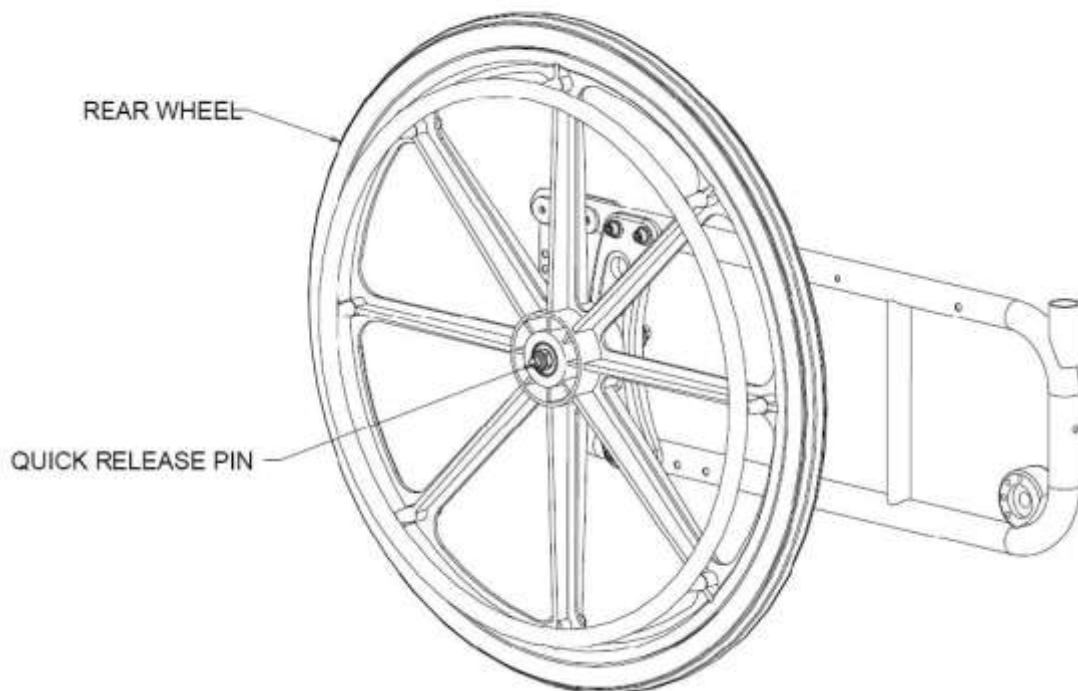
After ANY adjustments, repair or service and BEFORE use, make sure all attaching hardware is tightened securely – otherwise injury or damage may occur.

REMOVING/INSTALLING THE REAR WHEELS

WARNING

If changing the size of the rear wheel or a change in the seattofloor height is desired, this procedure MUST be performed by a qualified technician.

- 1 Push in the detent pin of the quickrelease axle (with wheel) and pull the axle out through the opening in the center of the rear wheel and axle spacer.
- 2 Push in the detent pin of the quickrelease axle again and pull the axle out of the rear wheel.
- 3 To reinstall the rear wheel onto the wheelchair, reverse steps 1 to 2.
- 4 Repeat this procedure for the other rear wheel assembly if required.
- 5 If using the PushtoLock or PulltoLock mechanism ensure the wheel locks properly. See the section ADJUSTING THE WHEEL LOCKS.



Installing/ Removing Rear Wheel

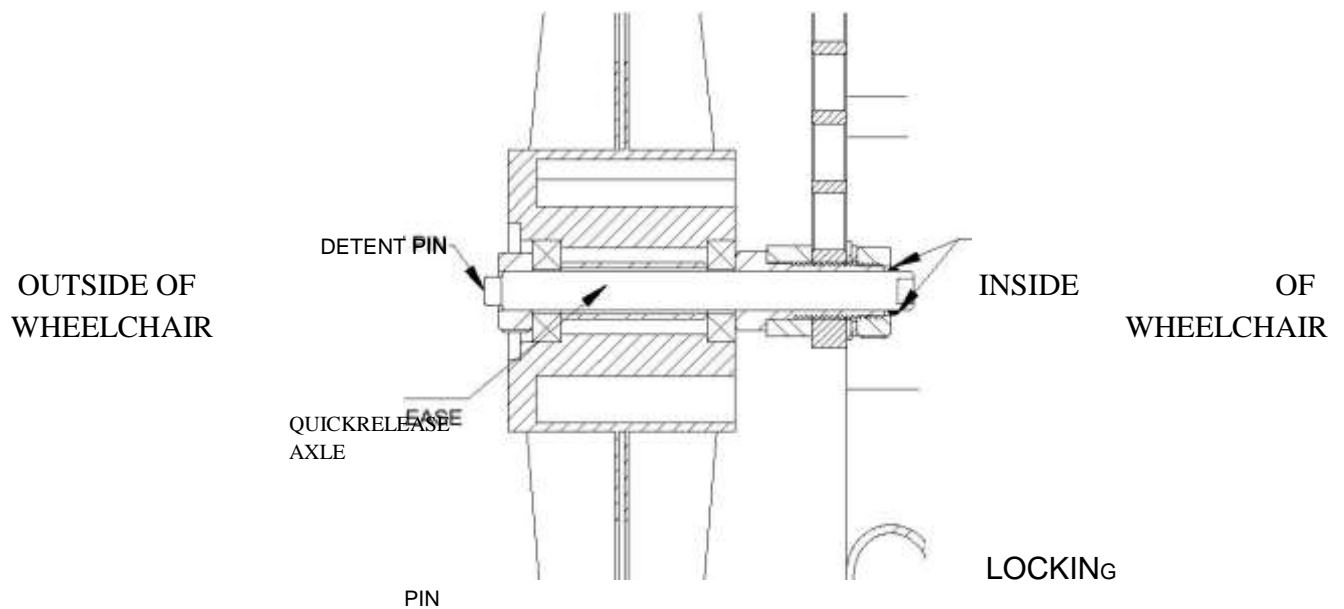
WARNING

Make sure the detent pin and locking pins of the quickrelease axle are fully released BEFORE operating the wheelchair.

The locking pins MUST be protruding past the inside of the rear wheel axle bushing for a positive lock.

Keep locking pins clean.

Future Mobility Healthcare Inc. recommends inserting quickrelease axles with the detent pin to the inside of the wheelchair to prevent accidental release during contact activities.



Detail – Locking Pin and Detent Pin

FRONT CASTERS

WARNING

After ANY adjustments, repair or service and BEFORE use, make sure all attaching hardware is tightened securely – otherwise injury or damage may occur.

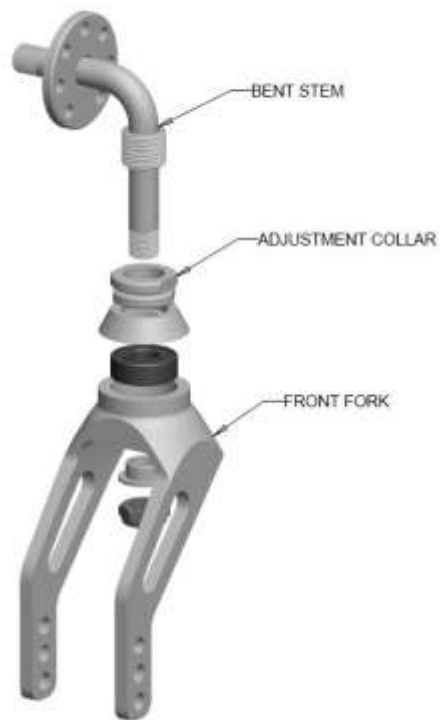
REPLACING/INSTALLING FRONT CASTERS

Note: This procedure can be performed if replacing the exact same size front caster.

1. Remove the nut, bolt and washers which secure the caster to the fork assembly. Remove the front caster. Slide in the new 4, 5, 6 or 7 inch front caster into the space between the forks. Tighten the nut, bolt and washers to secure the caster into place. Repeat this procedure for the other front caster wheel assembly if required. To properly tighten caster journal system and guard against flutter, perform the following check:
 - Tip back of wheelchair to floor
 - Pivot both forks and casters to top of their arc simultaneously.
 - Let casters drop to bottom of arc (wheels should swing once to oneside, then immediately rest in a straight downward position).
 - Adjust locknuts according to freedom of caster swing.
7. Test wheelchair for maneuverability. Readjust locknuts if necessary and repeat STEPS 6 to 7 until correct.

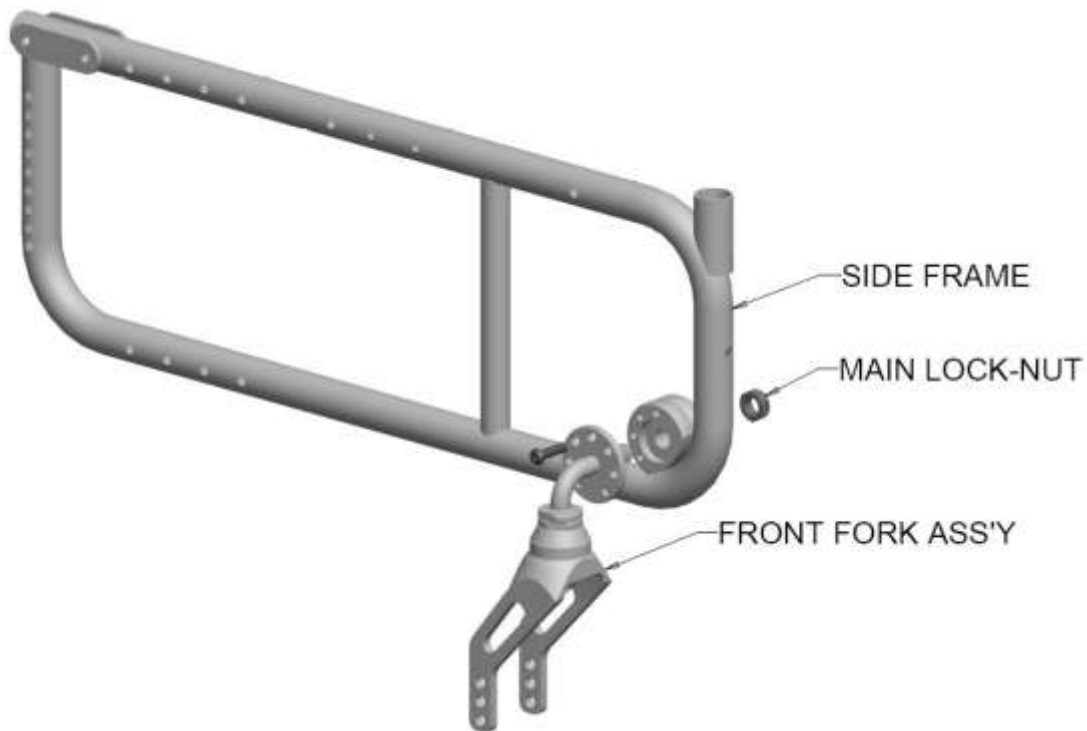
REPLACING/INSTALLING FRONT FORKS

- 1 Remove the locknut that secures the fork to the caster stem bolt.
- 2 Drop the front caster and fork assembly out of the caster stem bolt leaving the fork stem still in the wheelchair side frame.
- 3 Follow REPLACING/INSTALLING FRONT CASTERS guide in this section to remove the front caster from the fork assembly.
- 4 Place the caster in the new fork and assemble with the caster nut and bolt
- 5 Secure the new fork and caster assembly in place by using the locknut and caster stem bolt.
- 6 Follow steps 5 to 9 of REPLACING/INSTALLING FRONT CASTERS guide to properly install the new fork assembly and prevent fluttering.



INSTALLING FRONT FORK ASSEMBLY

- 1 Insert the caster fork assembly into the wheelchair side frame opening.
- 2 Insert the socket head cap screw through the wheelchair side frame opening and fork stem. The socket head cap screw is used to hold the fork stem in place so that when the angle of the fork assembly is adjusted it is maintained.
- 3 Secure the fork stem with a lock nut and washer.
- 4 Insert the front caster cup onto the outside of the side frame where the hole opening is on the fork stem. The caster cup is also used to help maintain the position of the fork assembly. Secure the caster cup with a flat head screw.
- 5 Install the front caster by following REPLACING/INSTALLING FRONT CASTERS guide In this section.
- 6 Ensure the caster fork stem is 90° perpendicular to the flat surface.

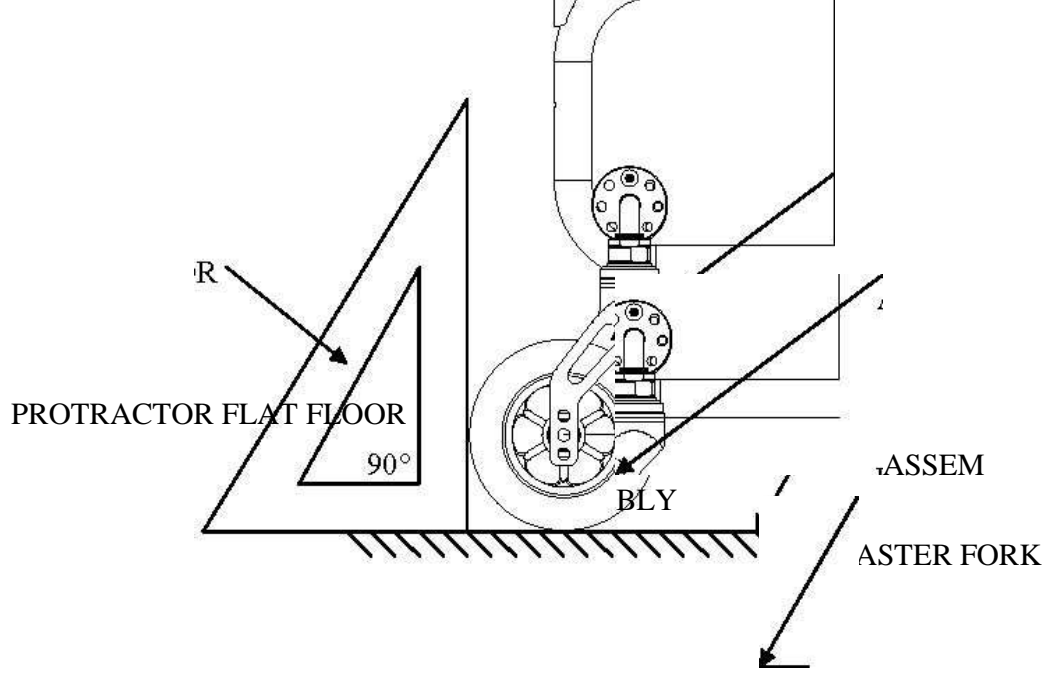


Installing Front Fork Assembly

ADJUSTING FRONT CASTER ANGLE

NOTE: Whenever the seat height is raised or lowered by changing the caster size, rear wheel size or axle mounting plate adjustments, the caster angle needs to be checked to maintain a 90° angle between the caster fork stem and the ground/floor. Caster fork stems that are perpendicular to the floor will roll better, track straighter and minimize any free wheeling of the wheelchair.

- 1 Remove, the socket head cap screw and loosen locknut that secures the fork stem to the wheelchair frame.
- 2 Position a large right triangle or L square on the flat surface and against flat on the fork.
- 3 Adjust the caster fork assembly angle until the caster stem is aligned with the “L” square (90° to flat surface)
- 4 Line up hole and insert the cap screw and tighten the main locknut
- 5 Check the fork stem for correct alignment.

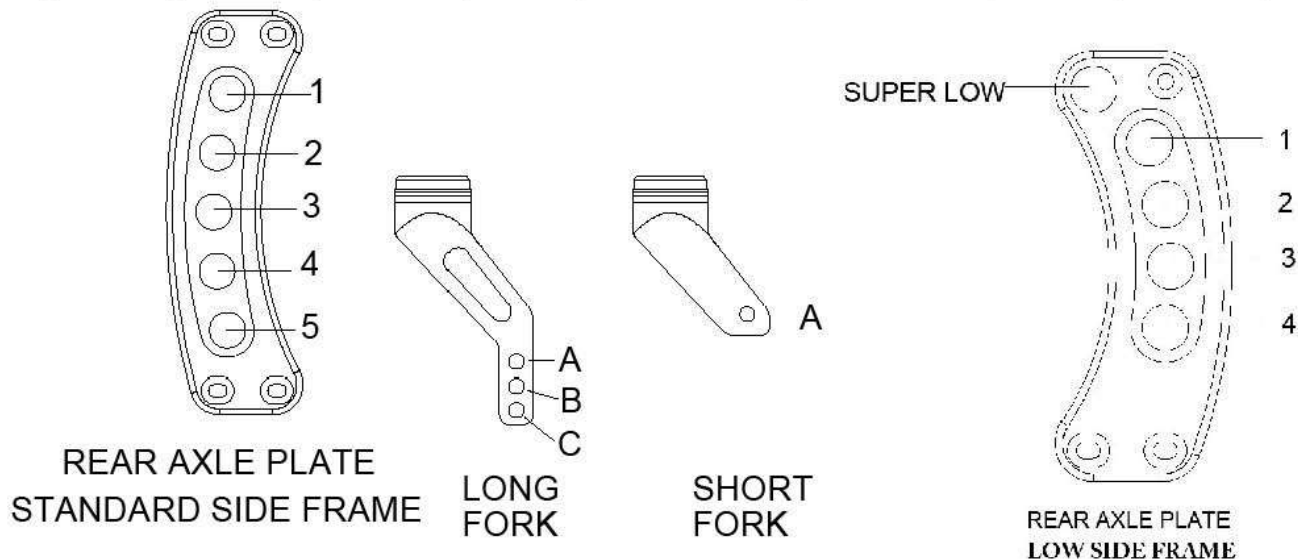


Adjusting Front Caster Angle

SEAT TO FLOOR

- 1 Follow the values in the table below to achieve the desired seat to floor height
- 2 Ensure that no weight is on the wheelchair while performing the operations
- 3 Ensure after changing the seat to floor height that the wheelchair is still operational and that no wheel flutter or instability occurs.
- 4 Ensure after changing the seat to floor height the caster stem fork is 90° (perpendicular) to the floor.

STF FRONT (inches)	REAR WHEEL (inches)	CASTER SIZE (inches)	FORK SIZE	FORK HOLE	AXLE PLATE HOLE	SPACER SIZE (inches)	STF rear (inches)	STEM SIZE	
13.00	20	4	SHORT	A	SUPER LOW	0	12.50	SHORT	
14.00	20	4	LRG	A	1	0	13.50	SHORT	
14.50	20	4	LRG	B	1	0	14.00	SHORT	
15.00	20	4	LRG	C	2	0	14.25	SHORT	
15.00	20	5	LRG	B	2	0	14.25	SHORT	
15.50	20	5	LRG	C	2	0	14.75	SHORT	
15.50	22	4	LRG	B	2	1	14.75	LONG	
16.00	20	4	LRG	C	3	1	15.25	LONG	
16.00	22	5	LRG	B	2	1	15.25	LONG	
16.50	20	5	LRG	C	3	1	16.00	LONG	
17.00	20	6	LRG	B	3		16.25	SHORT	STA
17.00	22	5	LRG	C	2	0	15.75	SHORT	STA
17.50	20	6	LRG	C	4		17.00	SHORT	STA
17.50	22	5	LRG	B	3	1	17.00	LONG	STA
18.00	20	6	LRG	B	4		17.25	LONG	STA
18.00	22	6	LRG	B	3	1	17.00	LONG	STA
18.00	24	6	LRG	B	3		17.50	LONG	STA
18.50	22	6	LRG	C	4	1	18.25	LONG	STA
18.50	24	6	LRG	C	3		18.00	LONG	STA
19.00	22	7	LRG	C	4	1	18.25	LONG	STA
19.50	22	7	LRG	C	4	1+ ADJUST	18.25	LONG	STA



ANTITIPPERS/WHEEL LOCKS

WARNING

After ANY adjustments, repair or service and BEFORE use, make sure all attaching hardware is tightened securely – otherwise injury or damage may occur.

INSTALLING/ADJUSTING THE ANTITIPPERS

WARNING

Antitippers are specific to the different seatto floor angles and/or seattofloor heights. Refer to the chart in this section of the manual for correct usage and adjustment. If these requirements CANNOT be achieved, DO NOT use the wheelchair. Contact a qualified technician. If changing the seattofloor height with or without a change to seattofloor angle, the correct antitippers MUST be used to maintain a 1 ½ “ to 2” ground clearance.

Seattofloor angle of 3 degrees to 6 degrees: if so equipped, antitippers MUST be attached at all times. In as much as the antitippers are an option on this wheelchair (you may order with or without the antitippers), Future Mobility Healthcare Inc. strongly recommends ordering the antitippers as a safeguard for the wheelchair user.

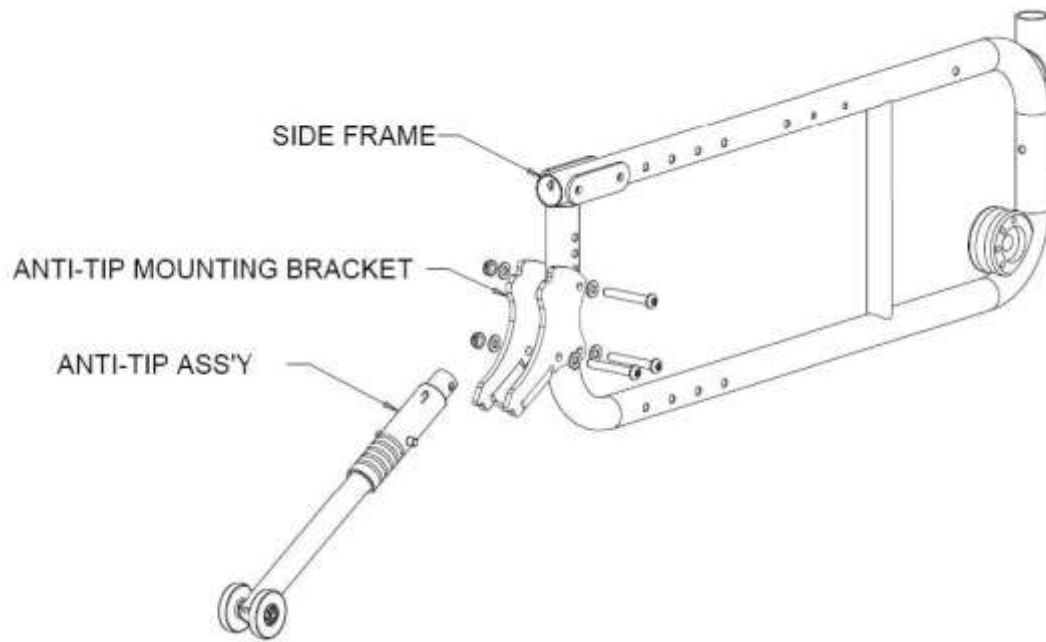
Antitippers MUST be fully engaged and release buttons fully protruding out of adjustment holes.

Ensure both antitippers are adjusted to the same mounting hole.

INSTALLING ANTITIPPERS

- 1 Bolt the antitip mounting bracket onto the side frame at the desired height.
- 2 Measure the distance between the bottom of the antitipper wheels and the ground/floor.
- 3 If the distance between the bottom of the antitipper wheels and the ground/floor is not 1 ½ “ to 2”, adjust the antitippers. Refer to ADJUSTING THE ANTITIPPERS in this section of the manual.

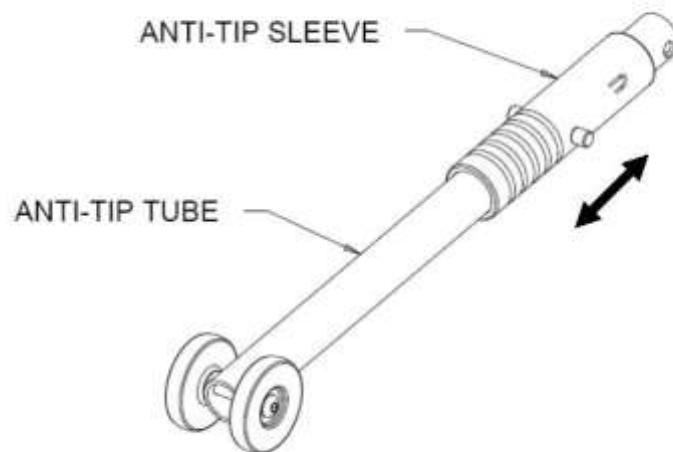
Note: A 1 ½ “ to 2” clearance between the bottom of the antitipper wheels and the ground/floor MUST be maintained at all times.



Installing AntiTip Assembly FLIPPING THE

ANTITIPPERS

- 1 Pull the sleeve downward on the tube to release the pin engagement.
- 2 Rotate the antitip assembly upwards until the pin engages at the top position.

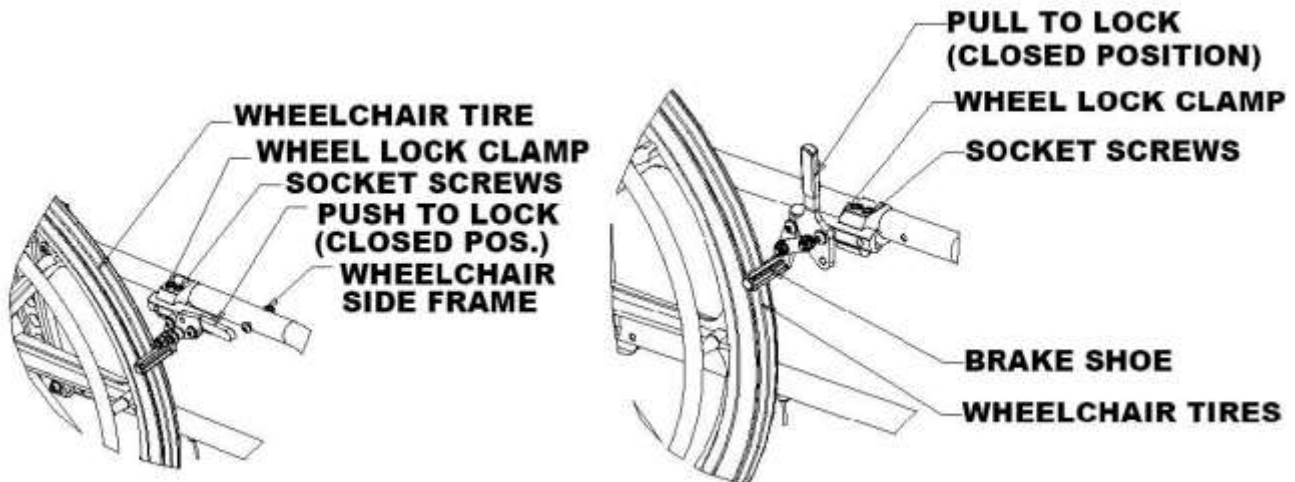


USING THE WHEEL LOCKS

WARNING

DO NOT attempt to stop a moving wheelchair with the wheel locks. WHEEL LOCKS ARE NOT BRAKES – otherwise injury or damage may occur.

4. Engage the wheel lock by pulling the wheel lock clamp to the left.



PushtoLock PulltoLock

ADJUSTING THE PATIENT OPERATED WHEEL LOCKS

- 1 Disengage the wheel locks.
- 2 CLAMPON Wheel Locks – loosen the two (2) socket screws shown in the above figure that secure the wheel lock to the wheelchair frame.
- 3 Reposition the wheel lock so that when engaged, the wheel lock shoe embeds the tire 1/8" (3/16" for pneumatic tires) and HOLDS the occupied wheelchair in place when pushed.
- 4 Securely tighten the two (2) socket screws securing the wheel lock to the wheelchair frame.
- 5 Engage the wheel lock.
- 6 Measure the distance the wheel lock is embedded into the tire
- 7 Repeat STEPS 1 to 6 until the wheel lock shoe embeds the tire and HOLDS the occupied wheelchair in place when pushed.
- 8 Engage both wheel locks and ensure the occupied wheelchair is held in place when pushed.

WARRANTY

This warranty is extended only to the original purchaser/ user of our products.

Future Mobility Healthcare Inc. warrants its Galaxy Lite Wheelchair to be free from defects in materials and workmanship for one (1) year from the date of purchase. The frame is warranted for the lifetime of the original purchaser/user and the upholstery for 90 days, upon normal usage by original purchaser. If within this warranty period the product shall be proven to be defective, such product shall be repaired or replaced, at Future Mobility Healthcare Inc. discretion. Future Mobility Healthcare Inc. sole obligation and your exclusive remedy under this warranty shall be limited to the repair and/or replacement of the product or its parts. This warranty does not include any labour or shipping charges incurred in replacement part installation or repair of any product.

For warranty service, please contact the dealer from whom you purchased your Future Mobility Healthcare Inc. product. In the event you do not receive satisfactory warranty service, please write directly to Future Mobility Healthcare Inc. at 3223 Orlando Drive, Mississauga, Ontario, L4V 1C5. Provide the dealer's name, address, model number, date of purchase and indicate the nature of the defect.

DO NOT return products to Future Mobility Healthcare Inc. without our prior consent. The defective unit or parts must be returned for warranty inspection within thirty (30) days of the return authorization date. (Future Mobility Healthcare Inc. will issue a return authorization number). Please prepay all shipping charges; C.O.D. shipments will be refused.

LIMITATIONS and EXCLUSIONS: This warranty shall not apply to problems arising from normal wear or failure to adhere to the enclosed instructions. Products subjected to negligence, accident, improper usage, maintenance or storage; or products modified without Future Mobility Healthcare Inc. written consent including, but not limited to: modification through the use of any unauthorized parts or attachments; products damaged by reason or repairs made to any component without the specific consent of Future Mobility Healthcare Inc., or products repaired by anyone other than a Future Mobility Products dealer. Such evaluation shall be determined by Future Mobility Healthcare Inc..

The foregoing warranty is exclusive and in lieu of all other expressed warranties. It shall not extend beyond the duration of the expressed warranty provided herein and the remedy for violations of any implied warranty shall be limited to repair or replacement of the defective product pursuant to the terms contained herein. Future Mobility Healthcare Inc. shall not be liable for any consequential or incidental damages whatsoever.

This warranty shall be extended to comply with all provincial laws and requirements.

Future Mobility Products - One Buffalo River Place, Buffalo, NY 14210 1-855-938-8873 1-716-783-9130, fax
1-716-783-9236

www.futuremobility.com