



Account Information		Order Date: _____	
Account #: _____		P.O.# _____	
Business Name: _____		Phone: _____	
Ship to Address: _____		City: _____	
Fax: _____		Province: _____	Zip Code: _____
Contact: _____			

The HCPCS codes provided are based on code verification by the PDAC or our interpretation of the code definitions.
Proper use of HCPCS codes does not ensure coverage or payment. For coverage information, verify the appropriate payer's coverage policy.
Prices are subject to change without notice

① FRAME TYPE		HCPCS		Standard Chair Includes:
<input checked="" type="checkbox"/>	Galaxy Lite Folding Chair	103 K0005	\$1,895	
② FRAME FINISH				
<input type="checkbox"/>	Black -----	103C01	No Charge	
<input type="checkbox"/>	Silver -----	103C02	No Charge	
K	Custom Colours			
	Blue-----	103C03	No Charge	
	Green-----	103C04	No Charge	
	Orange-----	103C05	No Charge	
	Purple-----	103C06	No Charge	
	Red-----	103C07	No Charge	
	Yellow-----	103C08	No Charge	
③ SEAT WIDTH				
I	<input type="checkbox"/> 12" Seat Width -----	103SW12	\$75	
	<input type="checkbox"/> 14" Seat Width -----	103SW14	No Charge	
	<input type="checkbox"/> 15" Seat Width -----	103SW15	No Charge	
	<input type="checkbox"/> 16" Seat Width -----	103SW16	Standard	
	<input type="checkbox"/> 17" Seat Width -----	103SW17	No Charge	
	<input type="checkbox"/> 18" Seat Width -----	103SW18	No Charge	
	<input type="checkbox"/> 19" Seat Width -----	103SW19	No Charge	
	<input type="checkbox"/> 20" Seat Width -----	103SW20 E2201	\$425	
④ SEAT DEPTH				
I	<input type="checkbox"/> 12" Seat Depth -----	103SD12	\$75	
	<input type="checkbox"/> 15" Seat Depth -----	103SD15	No Charge	
	<input type="checkbox"/> 16" Seat Depth -----	103SD16	Standard	
	<input type="checkbox"/> 17" Seat Depth -----	103SD17	No Charge	
	<input type="checkbox"/> 18" Seat Depth -----	103SD18	No Charge	
	<input type="checkbox"/> 19" Seat Depth -----	103SD19	No Charge	
	<input type="checkbox"/> 20" Seat Depth -----	103SD20 E2203	\$425	



SEAT TO FLOOR MATRIX

GALAXY LITE FRONT STF HEIGHT AVAILABILITY											
REAR WHEEL	4" CASTER										
20"	13"	14"	14.5"	15"		16"					
22"					15.5"						
REAR WHEEL	5" CASTER										
20"				15"	15.5"		16.5"				
22"						16"		17"	17.5"		
REAR WHEEL	6" CASTER										
20"								17"	17.5"	18"	
22"										18"	18.5"
24"										18"	18.5"
REAR WHEEL	7" CASTER										
22"											19" 19.5"

FOOTNOTES:

- A. Seat angle is set at 3 degrees.
See service manual for details
- I. Only available as a 12"x12" chair with STF
13.5" to 16" on a hemi frame. Not available
with 22" rear wheels. Must choose
Superchair footplates
- K. Allow a few extra days for powder
coating time for custom colors

5 SEAT-TO-FLOOR HEIGHT

<input type="checkbox"/> c	13.0" Seat to Floor (20" Wheels and 4" Casters) Low frame	103STF45	K0056	\$100
<input type="checkbox"/> d	14.0" Seat to Floor (20" Wheels and 4" Casters) Low frame	103STF46	K0056	\$100
<input type="checkbox"/>	14.5" Seat to Floor (20" Wheels and 4" Casters) low frame	103STF47	K0056	\$100
<input type="checkbox"/>	15.0" Seat to Floor (20" Wheels and 4" Casters) low frame	103STF48	K0056	\$100
<input type="checkbox"/>	15.0" Seat to Floor (20" Wheels and 5" Casters) low frame	103STF03	K0056	\$100
<input type="checkbox"/>	15.5" Seat to Floor (20" Wheels and 5" Casters) low frame	103STF04	K0056	\$100
<input type="checkbox"/>	15.5" Seat to Floor (22" Wheels and 4" Casters) low frame	103STF49	K0056	\$100
<input type="checkbox"/>	16.0" Seat to Floor (20" Wheels and 4" Casters) low frame	103STF50	K0056	\$100
<input type="checkbox"/>	16.0" Seat to Floor (22" Wheels and 5" Casters) low frame	103STF05	K0056	\$100
<input type="checkbox"/>	16.5" Seat to Floor (20" Wheels and 5" Casters) low frame	103STF51	K0056	\$100
<input type="checkbox"/>	17.0" Seat to Floor (20" Wheels and 6" Casters) STD frame	103STF52		No Charge
<input type="checkbox"/>	17.0" Seat to Floor (22" Wheels and 5" Casters) STD frame	103STF53		No Charge
<input type="checkbox"/>	17.5" Seat to Floor (20" Wheels and 6" Casters) STD frame	103STF54		No Charge
<input type="checkbox"/>	17.5" Seat to Floor (22" Wheels and 5" Casters) STD frame	103STF55		No Charge
<input type="checkbox"/>	18.0" Seat to Floor (20" Wheels and 6" Casters) STD frame	103STF56		No Charge
<input type="checkbox"/>	18.0" Seat to Floor (22" Wheels and 6" Casters) STD frame	103STF57		No Charge
<input type="checkbox"/>	18.0" Seat to Floor (24" Wheels and 6" Casters) STD frame	103STF20		No Charge
<input type="checkbox"/>	18.5" Seat to Floor (22" Wheels and 6" Casters) STD frame	103STF58		No Charge
<input type="checkbox"/>	18.5" Seat to Floor (24" Wheels and 6" Casters) STD frame	103STF59		No Charge
<input type="checkbox"/>	19.0" Seat to Floor (22" Wheels and 7" Casters) STD frame	103STF60		No Charge
<input type="checkbox"/>	19.5" Seat to Floor (22" Wheels and 7" Casters) STD frame	103STF61		No Charge

FOOTNOTES:

- B. Can not use a 8" caster with
this wheelchair
- C. Short fork is used to achieve
these front seat to floor heights
- D. For front seat to floor of 14"
and above the long fork is used

6 REAR WHEEL RIM

<input type="checkbox"/>	Mag Wheels -----	103RW09		No Charge
<input type="checkbox"/>	Spoke Wheels -----	103RW10		\$265

7 REAR WHEEL TIRE

<input type="checkbox"/>	Airless (Solid Rubber) -----	103RT1		Standard
<input type="checkbox"/>	Pneumatic -----	103RT2	E2211	No Charge

8 CAMBER OPTIONS

<input type="checkbox"/>	0° Camber -----	103CB1		Standard
<input type="checkbox"/>	3° Camber -----	103CB2		No Charge

9 HANDRIM OPTIONS

<input type="checkbox"/>	Chrome -----	103HR1		Standard
<input type="checkbox"/>	Plastic Coated -----	103HR2	K0059	\$160
<input type="checkbox"/>	Omit Handrims -----	103HR3		less net \$15

10 ARM TYPE

<input type="checkbox"/>	T-Style Adjustable Height Pin Release - Youth -----	103AR05	E0973	\$210
<input type="checkbox"/>	T-Style Adjustable Height Pin Release - Adult -----	103AR06	E0973	\$215
<input type="checkbox"/>	T-Style Fixed Height -----	103AR02	E0973	\$210
<input type="checkbox"/>	Full Length Adj. Height Flipback-----	103AR09	E0973	\$215
<input type="checkbox"/>	Full Length Fixed Height Flipback -----	103AR10	E0973	\$195
<input type="checkbox"/>	Swingaway Padded Tubular Arm-----	103AR01	E0973	\$175

11 ARM PAD

<input type="checkbox"/>	Desk length Vinyl 10" (pair)-----	103AP1		No Charge
<input type="checkbox"/>	Full length Vinyl 14" (pair)-----	103AP2		No Charge
<input type="checkbox"/>	Contour Gel 17" (pair)-----	103AP3		Standard

12 BACK TYPE		
<input type="checkbox"/> Angle Adj 15 deg Bend w/Push Handle (low) -----	103PC3	Standard
<input type="checkbox"/> Angle Adj 15 deg Bend w/Push Handle (high) -----	103PC4	\$90

13 BACK UPHOLSTERY		
<input type="checkbox"/> Slip-on Padded Back Upholstery -----	103BK48	Standard
<input type="checkbox"/> Adjustable Tension Back -----	103BK45 E2611	\$295
<input type="checkbox"/> Prism Basic Back on chair Stock -----	103BK01 E2620	\$615
<input type="checkbox"/> Prism Basic Back on chair Non Stock -----	103BK02 E2620	\$615
<input type="checkbox"/> Prism Basic Back on chair Custom -----	103BK04 E2620	\$750
<input type="checkbox"/> Prism Ultra Back on chair Stock -----	103BK06 E2620	\$615
<input type="checkbox"/> Prism Ultra Back on chair Non Stock -----	103BK07 E2620	\$615
<input type="checkbox"/> Prism Ultra Back on chair Custom -----	103BK09 E2620	\$850
<input type="checkbox"/> Prism Air Back on chair Stock -----	103BK11 E2615	\$655
<input type="checkbox"/> Prism Air Back on chair Non Stock -----	103BK12 E2615	\$655
<input type="checkbox"/> Prism Air Back on chair Custom -----	103BK14 E2615	\$755
<input type="checkbox"/> Prism TrueFitt Back on chair Stock -----	103BK16 E2615	\$625
<input type="checkbox"/> Prism TrueFitt Back on chair Non Stock -----	103BK17 E2615	\$625
<input type="checkbox"/> Prism TrueFitt Back on chair Custom -----	103BK19 E2615	\$725
<input type="checkbox"/> Prism Max Ultra Back on chair Stock -----	103BK21 E2620	\$645
<input type="checkbox"/> Prism Max Ultra Back on chair Non Stock -----	103BK22 E2620	\$645
<input type="checkbox"/> Prism Max Ultra Back Custom on chair -----	103BK24 E2620	\$695
<input type="checkbox"/> Prism Max Air Back on chair Stock -----	103BK26 E2620	\$725
<input type="checkbox"/> Prism Max Air Back on chair Non Stock -----	103BK27 E2620	\$725
<input type="checkbox"/> Prism Max Air Back Custom on chair -----	103BK29 E2620	\$755
<input type="checkbox"/> Prism Max TruFitt Back on chair Stock -----	103BK31 E2620	\$675
<input type="checkbox"/> Prism Max TruFitt Back on chair Non Stock -----	103BK32 E2620	\$675
<input type="checkbox"/> Prism Max TruFitt Back Custom on chair -----	103BK34 E2620	\$725
F <input type="checkbox"/> Lunar Back Low No Lateral on chair -----	103BK36 E2620	\$595
<input type="checkbox"/> Lunar Back Low Basic Lateral on chair -----	103BK37 E2620	\$670
G <input type="checkbox"/> Lunar Back Mid No Lateral on chair -----	103BK38 E2620	\$645
<input type="checkbox"/> Lunar Back Mid Basic Lateral on chair -----	103BK39 E2620	\$720
<input type="checkbox"/> Lunar Back Mid Ultra Lateral on chair -----	103BK40 E2620	\$795
H <input type="checkbox"/> Lunar Back Full No Lateral on chair -----	103BK41 E2620	\$695
<input type="checkbox"/> Lunar Back Full Basic Lateral on chair -----	103BK42 E2620	\$770
<input type="checkbox"/> Lunar Back Full Ultra Lateral on chair -----	103BK43 E2620	\$845
<input type="checkbox"/> Lunar Back Custom on chair -----	103BK44 E2620	\$950
<input type="checkbox"/> Omit Back Upholstery -----	103BK49	less net \$20
Specify Back Size W____x H____		

FOOTNOTES:
 F. Sizes 14,16,18,20W x 10H or 12H
 G. Sizes 14,16,18,20W x 14H,16H or 18H
 H. Sizes 16,18,20,22W x 20H,22H or 24H
 (refer to lunar backs order form for specific sizes)

14 BACK PINS (Prism Backs only)		
<input type="checkbox"/> Longer Pins for Back Hardware 1" Growth -----	103BP1	\$50
<input type="checkbox"/> Longer Pins for Back Hardware 2" Growth -----	103BP2	\$50

15 SEAT OPTIONS		
<input type="checkbox"/> Black Nylon Seat Upholstery -----	103SC19	Standard
<input type="checkbox"/> Prism Ideal Cushion - Stock Sizes -----	103SC01 E2601	\$100
<input type="checkbox"/> Prism Ideal Cushion - Non-Stock Sizes -----	103SC02 E2601	\$100
<input type="checkbox"/> Prism Ideal Cushion - Custom Sizes -----	103SC03 E2601	\$150
<input type="checkbox"/> Prism Elite Cushion - Stock Sizes -----	103SC04 E2603	\$225
<input type="checkbox"/> Prism Elite Cushion - Non-Stock Sizes -----	103SC05 E2603	\$225
<input type="checkbox"/> Prism Elite Cushion - Custom Sizes -----	103SC06 E2603	\$300
<input type="checkbox"/> Prism Supreme Cushion - Stock Sizes -----	103SC07 E2607	\$365
<input type="checkbox"/> Prism Supreme Cushion - Non-Stock Sizes -----	103SC08 E2607	\$365
<input type="checkbox"/> Prism Supreme Cushion - Custom Sizes -----	103SC09 E2607	\$495
<input type="checkbox"/> Prism Supreme II Plus Cushion Stock -----	103SC10 E2607	\$385
<input type="checkbox"/> Prism Supreme II Plus Cushion Non-Stock -----	103SC11 E2607	\$385
<input type="checkbox"/> Prism Supreme II Plus Cushion Custom -----	103SC12 E2607	\$425
<input type="checkbox"/> Prism Supreme Air Cushion - Stock Sizes -----	103SC13 E2624	\$475
<input type="checkbox"/> Prism Supreme Air Cushion - Non-Stock Sizes -----	103SC14 E2624	\$475
<input type="checkbox"/> Prism Supreme Air Cushion - Custom Sizes -----	103SC15 E2624	\$495
<input type="checkbox"/> Prism Drop Base Flushmount Stock Sizes -----	103SC30 E2231	\$100
<input type="checkbox"/> Prism Drop Base 1" Stock Sizes -----	103SC31 E2231	\$100
<input type="checkbox"/> Prism Drop Base 2" Stock Sizes -----	103SC32 E2231	\$100
<input type="checkbox"/> Prism Drop Base Flushmount Non Stock Sizes -----	103SC33 E2231	\$100
<input type="checkbox"/> Prism Drop Base 1" Non Stock Sizes -----	103SC34 E2231	\$100
<input type="checkbox"/> Prism Drop Base 2" Non Stock Sizes -----	103SC35 E2231	\$100
<input type="checkbox"/> Prism Drop Base Flushmount Custom Sizes -----	103SC36 E2231	\$100
<input type="checkbox"/> Prism Drop Base 1" Custom Sizes -----	103SC37 E2231	\$150

<input type="checkbox"/> Prism Drop Base 2" Custom Sizes -----	103SC38	E2231	\$150
<input type="checkbox"/> Omit Seat Upholstery -----	103SC20		less net \$20

16 FRONT RIGGING

<input type="checkbox"/> 60 Degree Dual Swingaway Upgraded -----	103FR06		STD
<input type="checkbox"/> 70 Degree Dual Swingaway Upgraded -----	103FR07		No Charge
<input type="checkbox"/> 80 Degree Dual Swingaway Upgraded -----	103FR08		No Charge
<input type="checkbox"/> 90 Degree Dual Swingaway Upgraded -----	103FR09		\$200
<input type="checkbox"/> Swingaway Elevating Legrest -----	103FR10	E0990	\$225
<input type="checkbox"/> Dual Swingaway Elevating Legrest (std frame only)-----	103FR25	E0990	\$240
<input type="checkbox"/> Omit Front Riggings -----	103FR11		less net \$20

17 FOOTPLATE TYPE

<input type="checkbox"/> Composite Flip-Up Footplates Small -----	103FP01		No Charge
<input type="checkbox"/> Composite Flip-Up Footplates Large -----	103FP02		No Charge
<input type="checkbox"/> Aluminum Flip-Up Footplates Medium -----	103FP05		Standard
<input type="checkbox"/> Aluminum Flip-Up Footplates Large -----	103FP06		Standard
<input type="checkbox"/> Composite Angle Adj Flip-Up Footplates Small-----	103FP08	K0040	\$110
<input type="checkbox"/> Composite Angle Adj Flip-Up Footplates Medium-----	103FP09	K0040	\$110
<input type="checkbox"/> Composite Angle Adj. Flip-Up Cone Lock Large-----	103FP16	K0040	\$150
<input type="checkbox"/> Composite Angle Adj. Flip-Up Cone Lock X-Large-----	103FP17	K0040	\$170
<input type="checkbox"/> Aluminum Angle Adj Flip-Up Footplates Small-----	103FP10	K0040	\$110
<input type="checkbox"/> Aluminum Angle Adj Flip-Up Footplates Medium -----	103FP11	K0040	\$110
<input type="checkbox"/> Aluminum Angle Adj Flip-Up Footplates Large -----	103FP12	K0040	\$150
<input type="checkbox"/> Composite Adjustable Angle Flip-Up Footplates Spring Return---	103FP04	K0040	\$150
J <input type="checkbox"/> Superchair Kids Aluminum Flip-Up Footplate-----	103FP14	K0040	\$150
<input type="checkbox"/> One Piece Flip-Up Footboard -----	103FP19		\$160

FOOTNOTES:

J. Must have Superchair Footplates on 12" depth chair.

18 FOOTREST/LEGREST ACCESSORIES

<input type="checkbox"/> Padded Calf Strap -----	103FA03	K0038	\$70
<input type="checkbox"/> Foam Pad on Footplate (pair)-----	103FA07		\$70
<input type="checkbox"/> Foam Pad on One Piece Footboard-----	103FA06		\$50
<input type="checkbox"/> Heel Loops -----	103FA01	K0951	\$40
<input type="checkbox"/> Omit Heel Loops -----	103FA02		less net \$7

19 WHEEL LOCKS

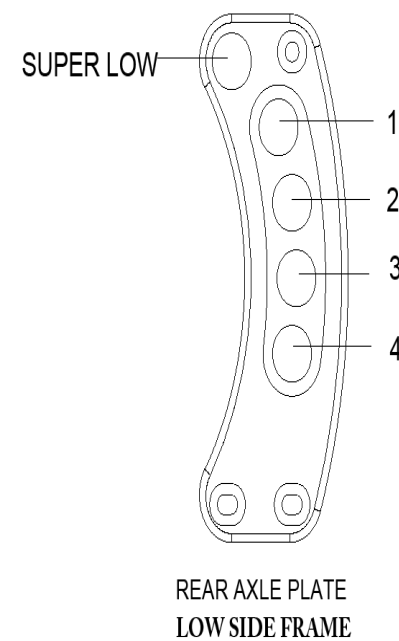
<input type="checkbox"/> Push-to-Lock Wheel Lock -----	103WL1		Standard
<input type="checkbox"/> Pull-to-Lock Wheel Lock -----	103WL2		No Charge
<input type="checkbox"/> Wheel Lock Extension -----	103WL3	E0961	\$55

20 ANTI TIP

<input type="checkbox"/> Flip Up Anti Tipper -----	103MA23	E0971	\$150
--	---------	-------	-------

21 MISCELLANEOUS ACCESSORIES

<input type="checkbox"/> Quick Release Axles -----	103AL1		\$60
<input type="checkbox"/> Auto-Seat Positioning Straps -----	103MA03	E0978	\$52
<input type="checkbox"/> Velcro Release Positioning Strap -----	103MA05	E0978	\$48
<input type="checkbox"/> Clear Lap Tray 15"-18" -----	103MA07	E0950	\$255
<input type="checkbox"/> Clear Lap Tray 19"-22" -----	103MA08	E0950	\$255
<input type="checkbox"/> Padded Lap Tray 15"-16" -----	103MA09	E0950	\$230
<input type="checkbox"/> Padded Lap Tray 17"-18" -----	103MA10	E0950	\$230
<input type="checkbox"/> Padded Lap Tray 19"-20" -----	103MA11	E0950	\$230
<input type="checkbox"/> Half Padded Lap Tray, left side -----	103MA14	E0950	\$160
<input type="checkbox"/> Half Padded Lap Tray, right side -----	103MA15	E0950	\$160



STF FRONT	REAR WHEEL	CASTER SIZE	FORK SIZE	FORK HOLE	AXLE PLATE HOLE	STF rear	STEM SIZE	SIDE FRAME	STYLE
(inches)	(inches)	(inches)				(inches)			
13.00	20	4	SHORT	A	SUPER LOW	12.50	SHORT	LOW	
14.00	20	4	LRG	A	1	13.50	SHORT	LOW	
14.50	20	4	LRG	B	1	14.00	SHORT	LOW	
15.00	20	4	LRG	C	2	14.25	SHORT	LOW	
15.00	20	5	LRG	B	2	14.25	SHORT	LOW	
15.50	20	5	LRG	C	2	14.75	SHORT	LOW	
15.50	22	4	LRG	B	2	14.75	LONG	LOW	
16.00	20	4	LRG	C	3	15.25	LONG	LOW	
16.00	22	5	LRG	B	2	15.25	LONG	LOW	
16.50	20	5	LRG	C	3	16.00	LONG	LOW	
17.00	20	6	LRG	B	3	16.25	SHORT	STANDARD	
17.00	22	5	LRG	C	2	15.75	SHORT	STANDARD	
17.50	20	6	LRG	C	4	17.00	SHORT	STANDARD	
17.50	22	5	LRG	B	3	17.00	LONG	STANDARD	
18.00	20	6	LRG	B	4	17.25	LONG	STANDARD	
18.00	22	6	LRG	B	3	17.00	LONG	STANDARD	
18.00	24	6	LRG	B	3	17.50	LONG	STANDARD	
18.50	22	6	LRG	C	4	18.25	LONG	STANDARD	
18.50	24	6	LRG	C	3	18.00	LONG	STANDARD	
19.00	22	7	LRG	C	4	18.25	LONG	STANDARD	
19.50	22	7	LRG	C	4	18.25		STANDARD	

