



Account Information		Order Date: _____	
Account #:	_____	P.O.#	_____
Business Name:	_____	Phone:	_____
Ship to Address:	_____	City:	_____
Fax:	_____	Province:	_____
Contact:	_____	Postal Code:	_____

1) FRAME TYPE

Northern Lite Folding Chair - WMA3FM005 ----- 108 \$2,350

2) FRAME FINISH

Silver----- 108C02 Standard

Black----- 108C01 No Charge

3) SEAT WIDTH

16" Seat Width ----- 108SW16 No Charge

18" Seat Width ----- 108SW18 No Charge

20" Seat Width ----- 108SW20 No Charge

4) SEAT DEPTH

16" Seat Depth ----- 108SD16 No Charge

18" Seat Depth ----- 108SD18 No Charge

5) SEAT-TO-FLOOR HEIGHT AND CASTER SIZE

13.75" (4" Caster) ----- 108STFN1 No Charge

14.5" (4" Caster) ----- 108STFN2 No Charge

15.75" (4" Caster) ----- 108STFN3 No Charge

16.5" (4" Caster) ----- 108STFN4 No Charge

16" (6" Caster) ----- 108STFN5 No Charge

16.75" (6" Caster) ----- 108STFN6 Standard

17.5" (6" Caster) ----- 108STFN7 No Charge

17.75" (8" Caster) ----- 108STFN8 No Charge

18.5" (8" Caster) ----- 108STFN9 No Charge

19" (8" Caster) ----- 108STFN10 No Charge

6) REAR SEAT-TO-FLOOR HEIGHT & WHEEL SIZE - Choose one

13" (20" Wheels) ----- 108STFN11 No Charge

13.75" (20" Wheels) ----- 108STFN12 No Charge

14" (22" Wheels) ----- 108STFN13 No Charge

14.5" (20" Wheels) ----- 108STFN14 No Charge

14.75" (22" Wheels) ----- 108STFN15 No Charge

15.25" (20" Wheels) ----- 108STFN16 No Charge

15.5" (22" Wheels) ----- 108STFN17 No Charge

15.75" (24" Wheels) ----- 108STFN18 No Charge

16.25" (22" Wheels) ----- 108STFN19 No Charge

16.5" (24" Wheels) ----- 108STFN20 Standard

17.25" (24" Wheels) ----- 108STFN21 No Charge

18" (24" Wheels) ----- 108STFN22 No Charge

18.75" (24" Wheels) ----- 108STFN23 No Charge

7) CASTER OPTIONS

4" x 1.25" Urethane ----- 108CW01 No Charge

6" x 1.25" Urethane ----- 108CW04 No Charge

8" x 1.25" Urethane ----- 108CW07 No Charge

Standard Chair Includes:

Lightweight Folding Frame w/Swingaway Front End
 Elliptical Heavyduty Double Crossbrace Tubing
 Seat Width (16"-20")
 Seat Depth (16"-18")
 Front Seat-To-Floor Height (14"-19")
 Rear Wheel Options (20", 22" or 24") Airless
 Caster Options (4", 6" or 8")
 Camber Adjustable Rear Wheels (0°, 3°, 5°)
 Seat Upholstery
 Adjustable Tension Back Upholstery
 Push Canes
 Composite Flip-Up Footplates
 Heel Loops
 Wheel Locks (Push or Pull to Lock)
 Full Length Adj. Height T-Arm (Vinyl Pad)
 Anti tippers



FOOTNOTES:

A. Front seat height should be larger than rear seat height

B. Can only have 0° camber angle on rear wheels at these heights

8) REAR WHEEL TIRE

- Airless (Solid Rubber) ----- 108RT1 Standard
- Pneumatic ----- 108RT2 No Charge

9) REAR WHEEL OPTIONS

- 20" Spoke Wheels ----- 108RW06 No Charge
- 22" Spoke Wheels ----- 108RW07 No Charge
- 24" Spoke Wheels ----- 108RW08 No Charge
- 20" Mag Wheels ----- 108RW09 No Charge
- 22" Mag Wheels ----- 108RW10 No Charge
- 24" Mag Wheels ----- 108RW11 No Charge

10) HANDRIM OPTIONS

- Chrome ----- 108HR1 Standard
- Plastic Coated ----- 108HR2 \$110
- Omit Handrims ----- 108HR3 less net \$15

11) ARM TYPE

- T Style Adjustable Height ----- 108AR03 Standard

Armrest Matrix for T-Style Pin Release Arm

Armrest Style	Transfer Tube Length D1	Arm Guard Length D2	H Range	Arm Pad Length L		
				Desk	Full	Curved
Adult	6.75"	7.50"	9.50" - 14.50"	10.25"	14.0"	17.0"
Youth	4.50"	5.0"	8.75" - 13.75"			

12) ARM PAD

- Contour Gel 17" (pair)----- 108AP3 Standard
- Desk length Vinyl 10" (pair)----- 108AP1 No Charge
- Full length Vinyl 14" (pair)----- 108AP2 No Charge

13) BACK TYPE

- D Back 10 deg bend w/Push Handle (low) ----- 108PC3 Standard
- E Back 10 deg bend w/Push Handle (high) ----- 108PC4 No Charge

14) BACK UPHOLSTERY

- Slip-on Padded Back Upholstery----- 108BK48 Standard
- Adjustable Tension Back ----- 108BK45 \$150
- Prism Basic Back ----- 108BK01 \$150
- Prism Ultra Back ----- 108BK06 \$250
- Prism Air Back ----- 108BK11 \$400
- Prism TrueFitt Back ----- 108BK16 \$650
- Prism Max Ultra Back ----- 108BK21 \$300
- Prism Max Air Back ----- 108BK26 \$450
- Prism Max TrueFitt Back ----- 108BK31 \$700
- Lunar Back Mid Basic Lateral on chair ----- 108BK39 \$550
- Omit Back ----- 108BK49 No Charge
- Specify Back Size W ___ x H ___

[For other Backs, please fill in the required Backs Order Form and attach it to this order. Click here to see all Backs](#)

15) BACK PINS (Prism Backs only)

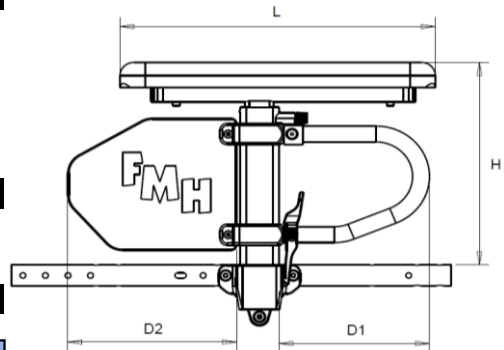
- Longer Pins for Back Hardware 1" Growth ----- 108BP1 \$50
- Longer Pins for Back Hardware 2" Growth ----- 108BP2 \$50

16) SEAT OPTIONS

- Black Nylon Seat Upholstery----- 108SC19 Standard
- Prism Ideal Cushion ----- 108SC01 \$175
- Prism Elite Cushion ----- 108SC04 \$250
- Prism Supreme Cushion ----- 108SC07 \$375
- Prism Supreme II Plus Cushion ----- 108SC10 \$375
- Prism Supreme Air Cushion ----- 108SC13 \$500
- Omit Cushion ----- 108SC20 No Charge

Standard Size Cushion Depth: 16", 18" and 20"

[For other Cushions, please fill in the required Cushions Order Form and attach it to this order. Click here to see all Cushions](#)



FOOTNOTES:

- D. Top of back cane is set at 16" high from the top of the seat rail
- E. Top of back cane is set at 20" high from the top of the seat rail

17) FRONT RIGGING

- 70 Degree Swingaway Upgraded----- 108FR04 Standard
- 60 Degree Swingaway Upgraded----- 108FR03 No Charge
- Swingaway Elevating Legrest (pair) ----- 108FR10 \$550

18) FOOTPLATE TYPE

- Composite Flip-Up Footplates Small ----- 108FP01 Standard
- Composite Flip-Up Footplates Large ----- 108FP02 No Charge
- Aluminum Angle Adj Flip-Up Footplates Small----- 108FP10 \$179
- Aluminum Angle Adj Flip-Up Footplates Medium----- 108FP11 \$179

19) FOOTREST/LEGREST ACCESSORIES

- Padded Calf Strap ----- 108FA03 \$70
- Foam Guards on Elevating Legrest (pair) ----- 108FA05 \$70
- Heel Loops ----- 108FA01 Standard
- Omit Heel Loops ----- 108FA02 less net \$7

20) WHEEL LOCKS

- F Push-to-Lock Wheel Lock----- 108WL5 Standard
- G Pull-to-Lock Wheel Lock----- 108WL6 No Charge
- Wheel Lock Extension (Bolt on)----- 108WL7 No Charge

21) REAR WHEEL CAMBER ANGLE

- H No Camber ----- 108CB1 Standard
- 3 ° camber ----- 108CB2 No Charge
- 5° camber ----- 108CB3 No Charge

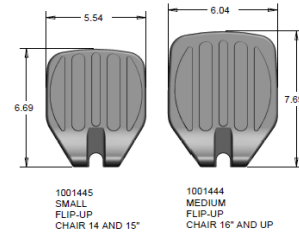
22) ANTI TIP

- Fixed Anti-tippers ----- 108MA22 No Charge

23) MISCELLANEOUS ACCESSORIES

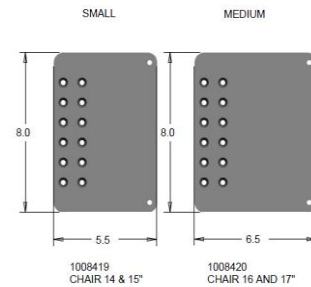
- Auto-Seat Positioning Straps ----- 108MA03 \$52
- Velcro Release Positioning Strap ----- 108MA05 \$48

COMPOSITE FOOTPLATE



ALUMINUM FOOTPLATES

ADULT ALUMINUM ANGLE ADJUSTABLE FOOTPLATE



FOOTNOTES:

- F. Standard Mount - Footrests swing further back to rear wheels
- G. Transfer Mount - Brakes levers are below seat level when locked
- H. Standard Wheelchairs are set at a 0 ° camber angle on rear wheels