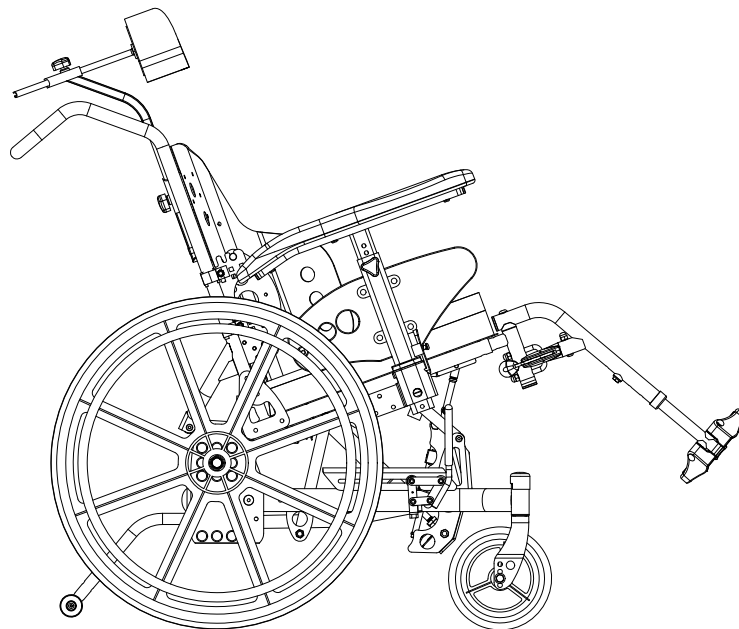




Operating Instructions



Canadian Manufacturer of Class I Medical Devices

NOTE: Check all parts for shipping damages before using.
In case of damage, do NOT use the equipment.
Contact the Equipment Supplier for further instructions.

WARNING

DO NOT install this equipment without first reading and understanding this instruction booklet. If you are unable to understand these instructions, contact a healthcare professional, dealer or technical personnel before attempting to install this equipment - otherwise, injury or damage may occur.

NOTICE

Information contained within this document is subject to change without notice.

OPERATING SAFETY WARNINGS

Please read and obey all instructions and warnings listed in this manual, ignoring these warnings could result in serious injury to the patient or attendants.

- Ensure anti-tippers are always installed in the correct position when using the wheelchair.
- **Never** lift the wheelchair by the armrests or front rigging.
- Any change of seat depth may require repositioning of the rear wheels, always test the stability of the chair before use.
- **Never** stand on the footplates during transfers in and out of the wheelchair.
- Ensure wheel locks are fully engaged while stopped on any incline/decline and while patient is transferring to and from the wheelchair.
- **Never** tilt the wheelchair on two wheels without assistance. When in any tilt or recline position, this chair must be operated by an attendant.
- **Never** use the wheel locks to stop a moving wheelchair.
- It is not recommended to transport users in vehicles of any kind while seated in the wheelchair. Do not use any kind of wheelchair Tie-Down restraints that are not approved by Transport Canada.

ORION // STANDARD FEATURES

- Tilt Function (45 Degrees)
- 15" – 22" wide
- 15" – 19" depth
- Push Bar with Push Handles **or** Stroller Push Bar
- Adjustable Height Full-Length Arms
 - T-Style
 - Height of 9 ½" – 14"
 - Adjustable Arm location for Tray placement
- Low Fixed Back
- 18" STF
- 24" Rear wheels
- 8" Casters
- Multi-adjustable Axle Plate
- 70 Degree Front Rigging with Footplate
- Heel Loops
- Spring Back Push to Lock Wheel Locks
- Aluminium Seat Pan
- PRISM™ Basic Cushion
- Adjustable Orion Back
- Two-Way, Padded, Contoured Headrest
- "Anti-rattle" rear Anti-Tippers
- Choice of 2 spirited colours

* User Weight limit: 250 lbs

SPECIFICATIONS:

Tilt Range: 3 - 48 degrees

Recline Range: 96 - 126 degrees

Overall Dimensions

(18" x 16" tilt & recline, 16 1/2 STF)

Chair Width: 27 1/2"

Chair Length: 34 1/2"

Chair Height: 44"

Chair Weight: 65 Lbs. (incl. Seating system)

OVERALL MAINTENANCE

1. Make sure all nuts and bolts are tight before operating the wheelchair
2. Make adjustments to the wheel locks to coincide with tire wear.
3. Inspect gas cylinders for leaks or wear and replace if required.
4. Inspect all cables and insure they are free from kinks and operate freely.
5. Wash and wax wheelchair to keep it free from excessive dirt and grease that might interfere with the operation of the chair.

Transporting the Wheelchair

1. Remove the seating system.
2. Turn the anti-tippers to the upward position.
3. Remove the front rigging.
4. Remove the armrests.
5. Remove rear wheels (if necessary).
6. Fold down back post as per instructions on page 5, if this option is installed on the chair.

OPERATING INSTRUCTIONS

T-Style Arm Rests (refer to Figure 1a)

Installing and removing T-style Armrest

1. Push armrest into arm socket until lock is engaged into slot.
2. For removal, push and hold release lever ('A'), while lifting armrest from arm socket.

Frame Adjustment Position

1. Remove armrest from the chair.
2. Remove the three inside bolts holding the arm socket to the seat frame ('B').
3. Move the arm socket to the forward mounting position ('C') and replace the three bolts ('B').
4. Re-install the armrest in the arm socket.

Arm Height Adjustment

1. Loosen knob ('D').
2. Lift armrest until desired position is acquired (ranges from 9 ½" – 14" in ½" increments).
3. "Re-tighten" knob ('D').

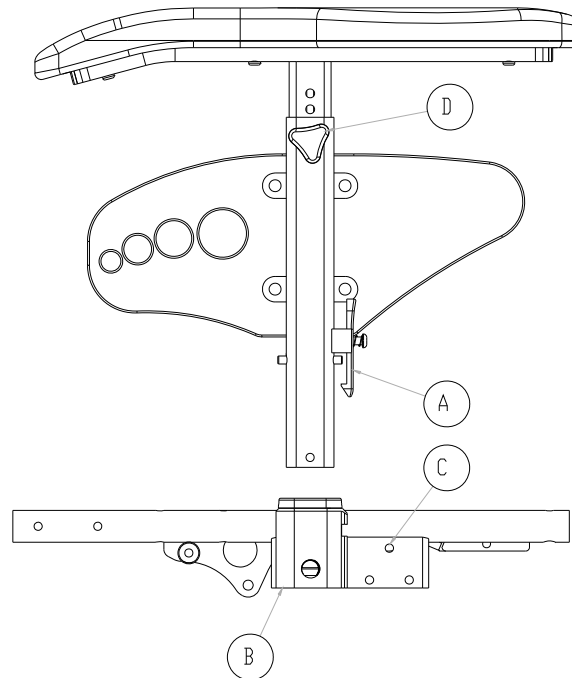


Figure 1a

Flip-up Arm Rests (refer to *Figure 1b*)

Engaging and Disengaging Flip-up style armrest

1. To engage, push armrest into arm socket until release lever ('A') is engaged into slot.
2. For flip-up, push and hold release lever ('A'), while lifting armrest from arm socket.

Arm Height Adjustment

1. Loosen knob ('B').
2. Lift armrest until desired position is acquired (ranges from 9 ½" – 14" in ½" increments).
3. "Re-tighten" knob ('B').

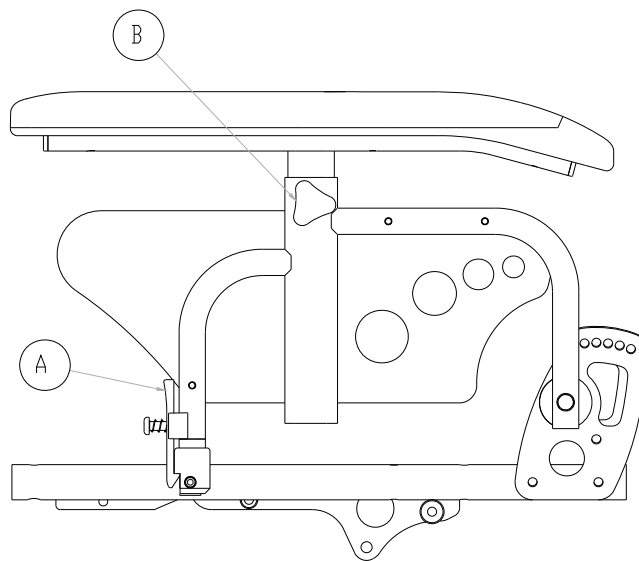


Figure 1b

Footrest Pin-Style (refer to *Figure 2*)

1. Position swing-away leg rest tabs onto pins ('A') ensuring footplate is facing inward.

Footplate Adjustment

1. Remove footrest bracket bolt ('B'). Slide footrest extension tube up or down to desired height.
2. "Re-tighten" bolt.

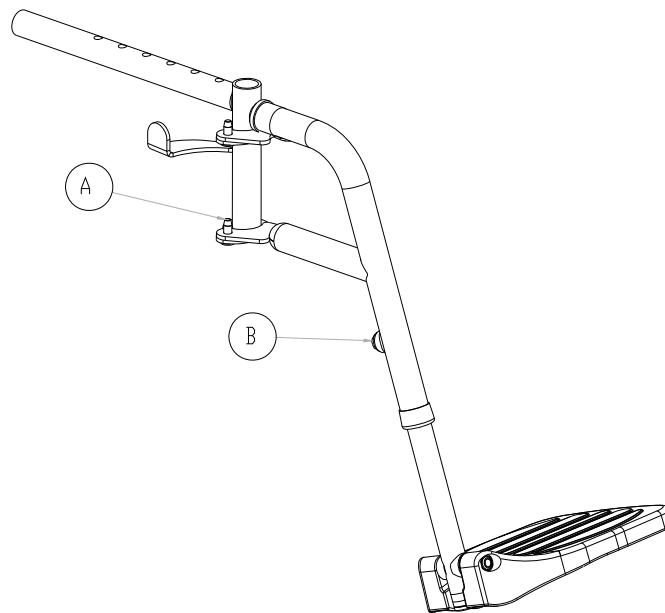


Figure 2

Footrest Pin-Style Upgraded(refer to *Figure 2a*)

1. Position swing-away footrest onto hanger ('A') insuring pivot plug sits flush onto hanger tube.
2. To remove footrest depress handle ('B') releasing latch ('C') and swing footrest outward.

Footplate Length Adjustment

1. Remove footrest bracket bolt. Slide footrest extension tube up or down to desired height.
2. "Re-install" bolt.

Footplate Angle Adjustment

1. Loosen bolt ('D') to adjust footplate angle and horizontal position.
2. "Re-tighten" bolt after final adjustment.

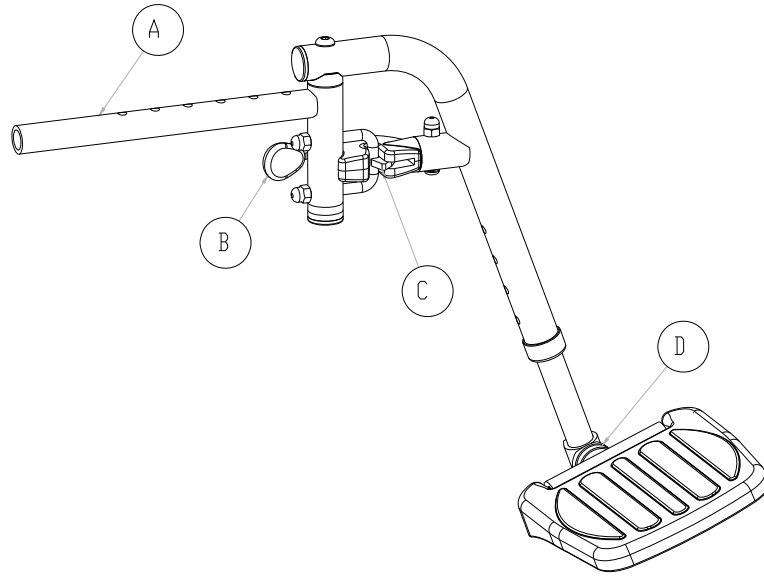


Figure 2a

Chair Back (refer to figure 3)

Adjustable Angle Fold-Down Option

To adjust angle

Manufacturer's setting is 90 degrees, with each hole representing 7 degree increments (holes range from 83 degrees to 111 degrees).

1. Remove nut and bolt ('a') on both sides of the back post.
2. Move back cane to desired angle and replace nuts and bolts ('a') making sure covered spacers are in place.

To fold down back

1. Push up knob ('b') on the left side to disengage pin in the locked position.
2. Push and hold up the knob on the right side to release back post forward.
3. To return back to an upright position, lift back posts up ensuring right side locks into place and pulling left knob out and down.

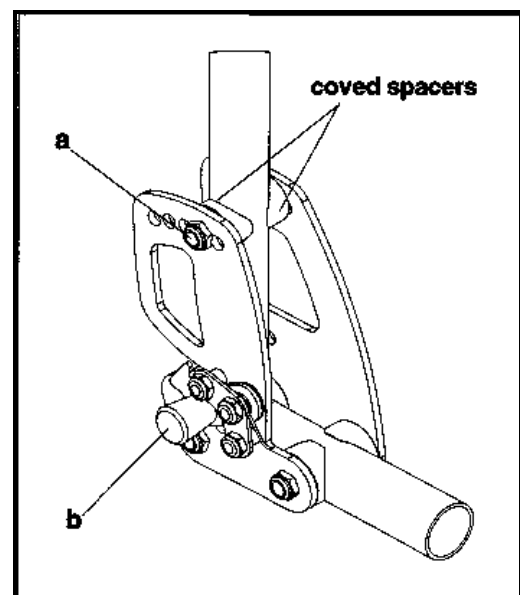


Figure 3

Rear Wheel Positioning (refer to figure 4)

1. To adjust wheelbase to maintain stability when altering seating system, remove rear wheel from axle plate and reinstall bushing in desired location ('a').
2. Replace axle and nut and tighten ensuring wheel spins freely without excessive lateral movement.

Wheel Lock Adjustment

1. Loosen both bolts attaching wheel lock assembly to frame.
2. Slide assembly along frame until wheel lock secures rear wheel firmly in the locked position.
3. "Re-tighten" bolts.
4. Repeat steps 1-3 for other side.

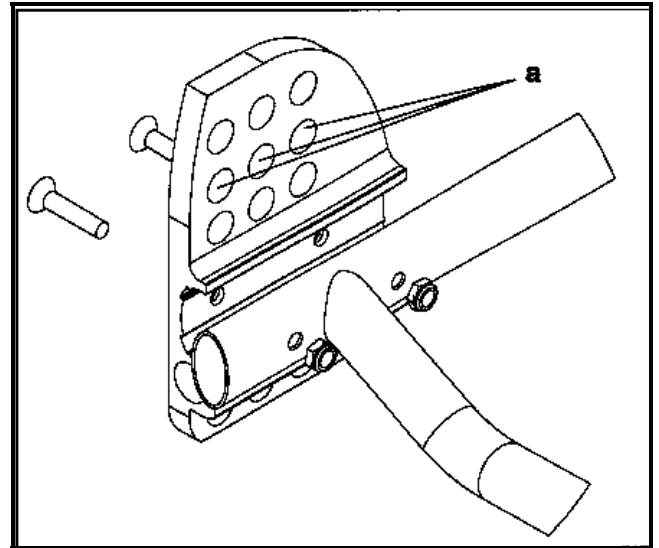


Figure 4

WARRANTY

This warranty is extended only to the original purchaser/user of our products.

Future Mobility Healthcare Inc. warrants its Orion // Wheelchair to be free from defects in materials and workmanship for one (1) year from the date of purchase. The frame is warranted for the lifetime of the original purchaser/user. The Orion Back is warranted for three (3) years and the upholstery for 90 days, upon normal usage by original purchaser. If within this warranty period the product shall be proven to be defective, such product shall be repaired or replaced, at Future Mobility Healthcare Inc. discretion. Future Mobility Healthcare Inc. sole obligation and your exclusive remedy under this warranty shall be limited to the repair and/or replacement of the product or its parts. This warranty does not include any labour or shipping charges incurred in replacement part installation or repair of any product.

For warranty service, please contact the dealer from whom you purchased your Future Mobility Healthcare Inc.. In the event you do not receive satisfactory warranty service, please write directly to Future Mobility Healthcare Inc. at 3223 Orlando Drive, Mississauga, Ontario, L4V 1C5. Provide the dealer's name, address, model number, date of purchase and indicate the nature of the defect.

DO NOT return products to Future Mobility Healthcare Inc. our prior consent. The defective unit or parts must be returned for warranty inspection within thirty (30) days of the return authorization date. (Future Mobility Healthcare Inc. will issue a return authorization number). Please prepay all shipping charges; C.O.D. shipments will be refused.

LIMITATIONS and EXCLUSIONS: This warranty shall not apply to problems arising from normal wear or failure to adhere to the enclosed instructions. Products subjected to negligence, accident, improper usage, maintenance or storage; or products modified without Future Mobility Healthcare Inc. written consent including, but not limited to: modification through the use of any unauthorized parts or attachments; products damaged by reason or repairs made to any component without the specific consent of Future Mobility Healthcare Inc., or products repaired by anyone other than a Future Mobility Products dealer. Such evaluation shall be determined by Future Mobility Healthcare Inc..

The foregoing warranty is exclusive and in lieu of all other expressed warranties. It shall not extend beyond the duration of the expressed warranty provided herein and the remedy for violations of any implied warranty shall be limited to repair or replacement of the defective product pursuant to the terms contained herein. Future Mobility Healthcare Inc. shall not be liable for any consequential or incidental damages whatsoever.

This warranty shall be extended to comply with all provincial laws and requirements.

Future Mobility Healthcare Inc.
3223 Orlando Drive
Mississauga, ON L4V 1C5
905 671-1661 – 1 888 737-4011
Fax: 905 671-3377
e-mail: customersupport@future-mobility.com
www.future-mobility.com

