



Account Information

Order Date: _____

Account #: _____

P.O.# _____

Business Name: _____

Phone: _____

Ship to Address: _____

City: _____

Fax: _____

State _____ Zip Code: _____

Contact: _____

The HCPCS codes provided are based on code verification by the PDAC or our interpretation of the code definitions. Proper use of HCPCS codes does not ensure coverage or payment. For coverage information, verify the appropriate payer's coverage policy.

Prices are subject to change without notice

① FRAME TYPE

C, E	<input checked="" type="checkbox"/> Orion II Standard base and seat frame	ORION II 250	E1161	\$2,750
	Max. Weight Capacity 250 lbs and 45 deg of Tilt			
A, E	<input type="checkbox"/> Orion II 350 lbs Heavy Duty Option	ORION II 350	K0108	\$250
	Max. Weight Capacity 350 lbs and 45 deg of Tilt			

Standard Features: ORION II & ORION II HD 350

- Tilt Function (45 Degrees)
- Seat Width 18"
- Seat Depth 16"
- Canes and Stroller Bar
- Fixed Height 2-point Full Length Arm
- Seat to Floor 18"
- Rear Wheels 24"
- Casters 8"
- Multi Adjustable Axle Plate
- Aluminum Seat Pan
- 70 Degree Front Rigging w/aluminum flip up footplate
- Heel Loops
- Push to Lock Wheel Locks
- Choice of 2 colours - Black or Silver

② FRAME FINISH

	<input type="checkbox"/> Black -----	101C01		Standard
	<input type="checkbox"/> Silver -----	101C02		Standard
S	Custom Colours-			
	<input type="checkbox"/> Blue-----	101C03		No Charge
	<input type="checkbox"/> Green-----	101C04		No Charge
	<input type="checkbox"/> Orange-----	101C05		No Charge
	<input type="checkbox"/> Purple-----	101C06		No Charge
	<input type="checkbox"/> Red-----	101C07		No Charge
	<input type="checkbox"/> Yellow-----	101C08		No Charge

③ SEAT WIDTH

	<input type="checkbox"/> 15" Seat Width -----	101SW15		No Charge
	<input type="checkbox"/> 16" Seat Width -----	101SW16		No Charge
	<input type="checkbox"/> 17" Seat Width -----	101SW17		No Charge
	<input type="checkbox"/> 18" Seat Width -----	101SW18		Standard
	<input type="checkbox"/> 19" Seat Width -----	101SW19		No Charge
	<input type="checkbox"/> 20" Seat Width -----	101SW20	E2201	\$395
A	<input type="checkbox"/> 21" Seat Width (Weight Limit 350 lbs)-----	101SW21	E2201	\$395
A	<input type="checkbox"/> 22" Seat Width (Weight Limit 350 lbs)-----	101SW22	E2201	\$395
A, B	<input type="checkbox"/> 23" Seat Width (Weight Limit 350 lbs)-----	101SW23	E2201	\$395
A, B	<input type="checkbox"/> 24" Seat Width (Weight Limit 350 lbs)-----	101SW24	E2202	\$600



FOOTNOTES:

- A. Heavy Duty Package consisting of gusseted frame 21"wide to 24"wide
- B. Quick release axles are used on 23"-24" wide chairs.
- C. Add 9.5" to seat width of chair on finished product (handrim to handrim)
- D. EZ Tilt option recommended on seat depths of 20" or higher
- E. A seating system must be purchased for use with wheelchair. None is provided
- S. Allow a few extra days for powder coating time for custom colours

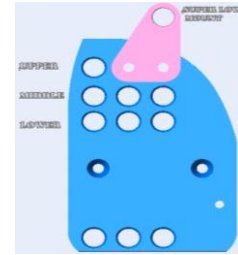
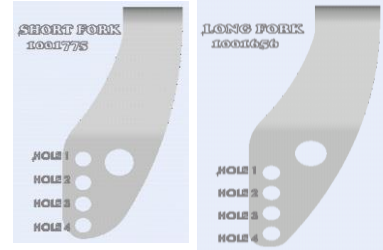
④ SEAT DEPTH

	<input type="checkbox"/> 15" Seat Depth -----	101SD15		No Charge
	<input type="checkbox"/> 16" Seat Depth -----	101SD16		Standard
	<input type="checkbox"/> 17" Seat Depth -----	101SD17		No Charge
	<input type="checkbox"/> 18" Seat Depth -----	101SD18		No Charge
	<input type="checkbox"/> 19" Seat Depth -----	101SD19		No Charge
	<input type="checkbox"/> 20" Seat Depth -----	101SD20	E2203	\$511
	<input type="checkbox"/> 21" Seat Depth -----	101SD21	E2203	\$511
	<input type="checkbox"/> 22" Seat Depth -----	101SD22	E2204	\$855
	<input type="checkbox"/> 23" Seat Depth -----	101SD23	E2204	\$855

- 24" Seat Depth ----- 101SD24 E2204 \$855
- EZ Tilt Option ----- 101AL4 No Charge

SEAT TO FLOOR HEIGHT MATRIX

ORION II FRONT STF HEIGHT AVAILABILITY									
REAR WHEEL	4" CASTER								
16"	13.25"								
20"	13.25"								
REAR WHEEL	5" CASTER								
16"		14.5"							
20"		14.5"	15"		16"				
22"				15.5"					
REAR WHEEL	6" CASTER								
12"				15.5"					
20"					16"				
22"					16"				
24"					16"	16.5"			
REAR WHEEL	7" CASTER								
20"									
22"						16.5"			
24"						16.5"	17"		
REAR WHEEL	8" CASTER								
16"								18"	
22"									
24"								18"	19" 20"

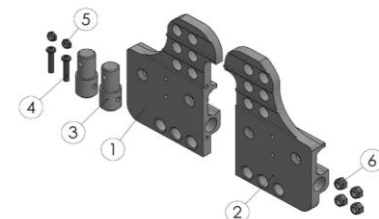


EXTENDED FRAME FOR EASY TILT OPTION *

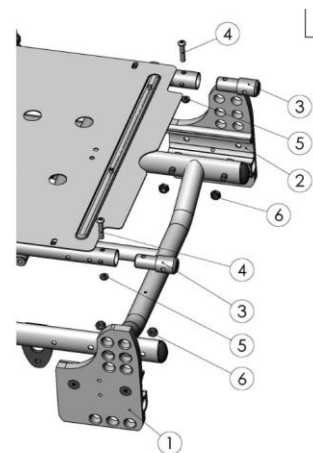
* RECOMMENDED FOR 20" AND UP SEAT DEPTH. EXTENDED SEAT FRAME SHOULD BE USED WITH AXEL PLATES WITH CUTOUT

5 SEAT-TO-FLOOR HEIGHT (up to 350 lbs weight capacity) - Orion II

- 13.25" Seat to Floor (16" Wheels and 4" Casters) 101STF96 No Charge
- 13.25" Seat to Floor (20" Wheels and 4" Casters) 101STF01 No Charge
- 14.5" Seat to Floor (16" Wheels and 5" Casters) 101STF97 No Charge
- 14.5" Seat to Floor (20" rear and 5" casters) 101STF02 No Charge
- 15" Seat to Floor (20" Wheels and 5" Casters) 101STF03 No Charge
- 15.5" Seat to Floor (22" Wheels and 5" Casters) 101STF25 No Charge
- 15.5" Seat to Floor (12" Wheels and 6" Casters) 101STF26 No Charge
- 16" Seat to Floor (20" Wheels and 5" Casters) 101STF27 No Charge
- 16" Seat to Floor (12" Wheels and 6" Casters) 101STF28 No Charge
- 16" Seat to Floor (24" Wheels and 6" Casters) 101STF29 No Charge
- 16" Seat to Floor (22" Wheels and 6" Casters) 101STF06 No Charge
- 16 1/2" Seat to Floor (24" Wheels and 6" Casters) 101STF30 No Charge
- 16 1/2" Seat to Floor (24" Wheels and 7" Casters) 101STF31 No Charge
- 16 1/2" Seat to Floor (22" Wheels and 7" Casters) 101STF08 No Charge
- 17" Seat to Floor (24" Wheels and 7" Casters) 101STF32 No Charge
- 17" Seat to Floor (22" Wheels and 8" Casters) 101STF33 No Charge
- 18" Seat to Floor (16" Wheels and 8" Casters) 101STF98 No Charge
- 18" Seat to Floor (24" Wheels and 8" Casters) 101STF11 Standard
- 19" Seat to Floor (24" Wheels & 8" Casters) 1" Spacer 101STF34 No Charge
- 20" Seat to Floor (24" Wheels & 8" Casters) 2" Spacer 101STF35 No Charge



EASY TILT KIT



6 REAR WHEEL RIM

- Mag Wheels 101RW09 No Charge
- Spoke Wheels 101RW10 \$255

7 REAR WHEEL TIRE

- Airless (Solid Rubber) ----- 101RT1 Standard
- Pneumatic ----- 101RT2 No Charge
- Pneumatic Flat-Free Airless Inserts ----- 101RT3 E2213 \$65

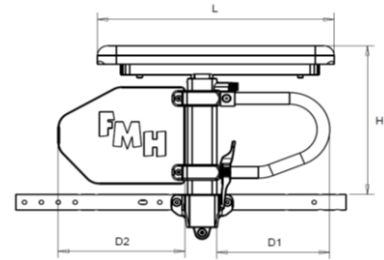
8 HANDRIM OPTIONS

- Chrome ----- 101HR1 Standard
- Plastic Coated ----- 101HR2 \$90

F. Only available with pull to lock brakes.
G. With 12" rear wheel you can only have push to lock brakes.

9 ARM TYPE

<input type="checkbox"/> T-Style Adjustable Height Knob Release -----	101AR04	E0973	\$210
<input type="checkbox"/> T-Style Adjustable Height Pin Release - Youth -----	101AR05	E0973	\$210
<input type="checkbox"/> T-Style Adjustable Height Pin Release - Adult -----	101AR06	E0973	\$210
<input type="checkbox"/> T-Style Fixed Height -----	101AR02	E0973	\$210
<input type="checkbox"/> Flip Back Adjustable Height Knob Release -----	101AR10	E0973	\$225
<input type="checkbox"/> 2-point Fixed Height Heavy Duty Arm -----	101AR13		Standard

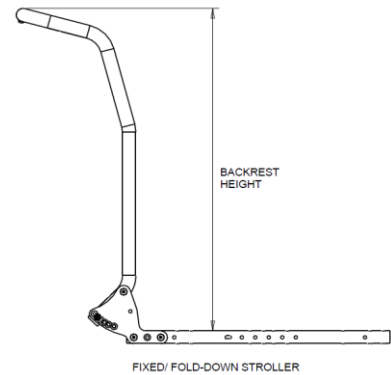


10 ARM PAD

<input type="checkbox"/> Desk length Vinyl 10" (pair) L 10" X W 2" -----	101AP1		No Charge
<input type="checkbox"/> Full length Vinyl 14" (pair) L 14" X W 2" -----	101AP2		No Charge
<input type="checkbox"/> Contour Gel 17" (pair) L 17" X W 2.5"-----	101AP3		Standard
<input type="checkbox"/> Contour Gel Wide 16" (pair) L 16" X W 3" -----	101AP4		\$150

11 PUSH OPTIONS

<input type="checkbox"/> Canes & Stroller Bars Fixed Low -----	101SP1		Standard
<input type="checkbox"/> Canes & Stroller Bars Fixed High -----	101SP2		No Charge
<input type="checkbox"/> Canes & Stroller Bars Fold Down Low -----	101SP3		No Charge
<input type="checkbox"/> Canes & Stroller Bars Fold Down High -----	101SP4		No Charge
<input type="checkbox"/> Stroller Bars Fixed Low-----	101SH1		No Charge
<input type="checkbox"/> Stroller Bars Fixed High-----	101SH2		No Charge
<input type="checkbox"/> Stroller Bars Adjustable Angle Fold Down Low-----	101SH3		No Charge
<input type="checkbox"/> Stroller Bars Adjustable Angle Fold Down High-----	101SH4		No Charge
<input type="checkbox"/> Stroller Bars Adjustable Hinged (16"-20" Width Adj.)--	101SH5		No Charge
<input type="checkbox"/> Stroller Bars Adjustable Hinged (20"-24" Width Adj.)--	101SH6		No Charge
<input type="checkbox"/> Canes & Stroller Bars Recline Low-----	101SP5	E1225	\$600
<input type="checkbox"/> Canes & Stroller Bars Recline High-----	101SP6	E1225	\$600
<input type="checkbox"/> Stroller Bar Recline Low-----	101SP11	E1225	\$600
<input type="checkbox"/> Stroller Bar Recline High-----	101SP12	E1225	\$600
<input type="checkbox"/> Back Cane Angle (83, 90, 97, 104,111) Specify_____	101BA1		No Charge

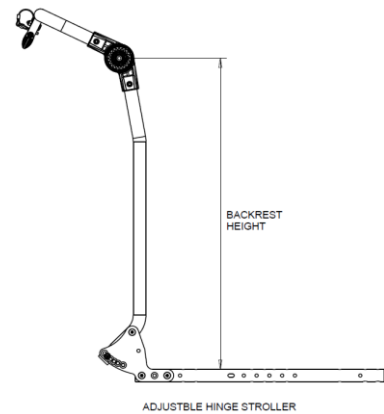


12 TRIGGER LOCATION

<input type="checkbox"/> Trigger Location - Push Cane-----	101TH1		No Charge
<input type="checkbox"/> Trigger Location - Stroller Bar-----	101TH2		No Charge

13 BACK OPTIONS

<input type="checkbox"/> No Back -----	101BK49		Standard
<input type="checkbox"/> Prism Basic Back 14"- 20" wide -----	BB14-20	E2620	\$615
<input type="checkbox"/> Prism Basic Back 22"- 26" wide -----	BB22-26	E2621	\$615
M <input type="checkbox"/> Prism Basic Back 27"- 32" wide -----	BBCUS	E2621	\$750
<input type="checkbox"/> Prism Ultra Back 14"- 20" wide -----	UB14-20	E2620	\$615
<input type="checkbox"/> Prism Ultra Back 22"- 26" wide -----	UB22-26	E2621	\$615
M <input type="checkbox"/> Prism Ultra Back 27"- 32" wide -----	UBBCUS	E2621	\$850
<input type="checkbox"/> Prism Air Back 14"- 20" wide -----	AB14-20	E2615	\$655
<input type="checkbox"/> Prism Air Back 22"- 26" wide -----	AB 22-26	E2616	\$655
M <input type="checkbox"/> Prism Air Back 27"- 32" wide -----	ABCUS	E2616	\$755
<input type="checkbox"/> Prism TrueFitt Back 14"- 20" wide -----	TFB14-20	E2615	\$625
<input type="checkbox"/> Prism TrueFitt Back 22"- 26" wide -----	TFB 22-26	E2616	\$625
M <input type="checkbox"/> Prism TrueFitt Back 27"- 32" wide -----	TFBCUS	E2616	\$725
<input type="checkbox"/> Prism Max Ultra Back 14"- 20" wide -----	MUB14-20	E2620	\$645
<input type="checkbox"/> Prism Max Ultra Back 22"- 26" wide -----	MUB22-26	E2620	\$645
M <input type="checkbox"/> Prism Max Ultra Back 27"- 32" wide -----	MUBCUS	E2620/21	\$695
<input type="checkbox"/> Prism Max Air Back 14"- 20" wide -----	MAB14-20	E2620	\$725
<input type="checkbox"/> Prism Max Air Back 22"- 26" wide -----	MAB12-32	E2620	\$725
M <input type="checkbox"/> Prism Max Air Back 27"- 32" wide -----	MABCUS	E2620/21	\$755
<input type="checkbox"/> Prism Max TrueFitt Back 14"- 20" wide -----	MTFB14-20	E2620	\$675
<input type="checkbox"/> Prism Max TrueFitt Back 22"- 26" wide -----	MTFB22-32	E2620	\$675
M <input type="checkbox"/> Prism Max TrueFitt Back 27"- 32" wide -----	MTFBCUS	E2620/21	\$725
<input type="checkbox"/> Lunar Back Low No Lateral on chair 14"-20" -----	LBSNL14-20	E2620	\$595
<input type="checkbox"/> Lunar Back Low Basic Lateral on chair 14"-20" -----	LBSBL 14-20	E2620	\$670
<input type="checkbox"/> Lunar Back Mid No Lateral on chair 14"-20" -----	MBSNL14-20	E2620	\$645
<input type="checkbox"/> Lunar Back Mid Basic Lateral on chair 14"-20" -----	MBSBL14-20	E2620	\$645
<input type="checkbox"/> Lunar Back Mid Ultra Lateral on chair 14"-20" -----	MBSUL14-20	E2620	\$795
M <input type="checkbox"/> Lunar Back Full No Lateral on chair 14"-20" -----	FBSNL16-22	E2620/21	\$695
M <input type="checkbox"/> Lunar Back Full Basic Lateral on chair 14"-20" -----	FBSBL16-22	E2620/21	\$770
M <input type="checkbox"/> Lunar Back Full Ultra Lateral on chair 14"-20" -----	FBSUL16-22	E2620/21	\$845
M <input type="checkbox"/> Lunar Back Custom on chair 14"-20" -----	LUNARCUS	E2620/21	\$950
H <input type="checkbox"/> Specify Max Back Color: _____			



FOOTNOTES:

- H. Max Backs come in one of the following colours: Black, Navy Blue, Royal Blue, Forest Green or Burgundy
- I. Please refer to Backs order form for for stock, non-stock, bariatric and custom sizes
- J. Includes Swingway Calf Pads
- K. Not available with 7" or 8" casters when footboard is facing back on 90 degree swingaway
- L. Swingaway Calf Pad can only be assembled onto Swingaway front rigging.
- M. Custom widths of Backs up to 21" wide use HCPCS code E2620 or E2615 depending on the type of back For Backs over 21" wide use E2621 or 2616 respectively

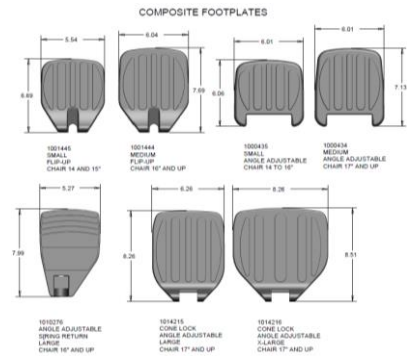
¹ Specify Back Size W____x H____

14 BACK PINS

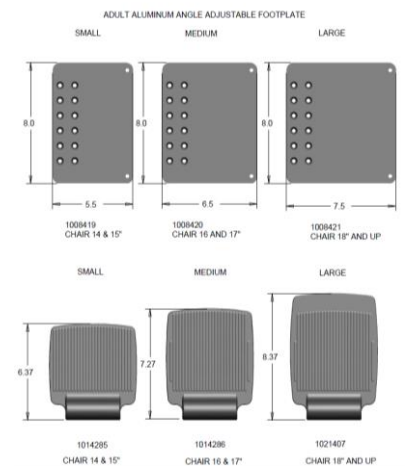
N	<input type="checkbox"/> Longer Pins for Back Hardware 1" Growth -----	101BP1	\$50
N	<input type="checkbox"/> Longer Pins for Back Hardware 2" Growth -----	101BP2	\$50

15 SEAT OPTIONS

	<input type="checkbox"/> Seat Pan -----	101SE1 E2231	\$99.00
	<input type="checkbox"/> No Cushion-----	101SC20	No Charge
S	<input type="checkbox"/> Serene Prime Cushion 16"-20" wide -----	PR16-24 E2601	\$100
	<input type="checkbox"/> Prism Ideal Cushion 16"- 20" wide -----	IC16-20 E2601	\$100
	<input type="checkbox"/> Prism Ideal Cushion 22"- 26" wide -----	IC22-26 E2601	\$204
O	<input type="checkbox"/> Prism Ideal Cushion 27"- 32" wide -----	ICCU5 E2601/02	\$298
	<input type="checkbox"/> Prism Elite Cushion 16"- 21" wide -----	EC16-20 E2603	\$225
	<input type="checkbox"/> Prism Elite Cushion 22"- 26" wide -----	EC22-26 E2603	\$300
O	<input type="checkbox"/> Prism Elite Cushion 27"- 32" wide -----	ECCUS E2603/04	\$375
S	<input type="checkbox"/> Serene Paramount Cushions 16-20" wide -----	PA16-20 E2605	\$300
	<input type="checkbox"/> Prism Supreme Cushion 16"- 20" wide -----	SC16-20 E2607	\$365
	<input type="checkbox"/> Prism Supreme Cushion 22"- 26" wide -----	SC22-26 E2607	\$495
O	<input type="checkbox"/> Prism Supreme Cushion 27"- 32" wide -----	SCCUS E2607/08	\$595
	<input type="checkbox"/> Prism Supreme II Plus 16"- 20" wide -----	SCP16-20 E2607	\$385
	<input type="checkbox"/> Prism Supreme II Plus 22"- 26" wide -----	SCP22-26 E2607	\$385
O	<input type="checkbox"/> Prism Supreme II Plus 27"- 32" wide -----	SCPCUS E2607/08	\$425
	<input type="checkbox"/> Prism Supreme Air Cushion 16"- 20" wide -----	SAC16-20 E2624	\$475
	<input type="checkbox"/> Prism Supreme Air Cushion 22"- 26" wide -----	SAC22-26 E2624	\$550
O	<input type="checkbox"/> Prism Supreme Air Cushion 27"- 32" wide -----	SACCUS E2624/25	\$595
	<input type="checkbox"/> Prism Supreme Gel Cushion 16"- 20" wide -----	SGC16-20 E2607	\$395
	<input type="checkbox"/> Prism Supreme Gel Cushion 22"- 26" wide -----	SGC22-26 E2607	\$395
O	<input type="checkbox"/> Prism Supreme Gel Cushion 27"- 32" wide -----	SGCUS E2607/08	\$475



ALUMINUM FOOTPLATES



16 FRONT RIGGING

	<input type="checkbox"/> 70 Degree Pin Style -----	101FR01	No Charge
	<input type="checkbox"/> 80 Degree Pin Style -----	101FR02	No Charge
	<input type="checkbox"/> 60 Degree Swingaway Upgraded -----	101FR03	No Charge
	<input type="checkbox"/> 70 Degree Swingaway Upgraded -----	101FR04	No Charge
	<input type="checkbox"/> 90 Degree Swingaway Upgraded -----	101FR05	No Charge
	<input type="checkbox"/> 60 Degree Dual Rotation Upgraded -----	101FR06	\$230
	<input type="checkbox"/> 70 Degree Dual Rotation Upgraded -----	101FR07	\$230
	<input type="checkbox"/> 80 Degree Dual Rotation Upgraded -----	101FR08	\$230
	<input type="checkbox"/> 90 Degree Dual Rotation Upgraded -----	101FR09	\$230
J	<input type="checkbox"/> Elevating Legrest (pair) -----	101FR10 E0990	\$275
J	<input type="checkbox"/> Dual Swingaway Elevating Legrest (pair) -----	101FR25 E0990	\$290
	<input type="checkbox"/> Omit Front Rigging -----	101FR11	No Charge
	<input type="checkbox"/> Omit Footrest Hanger -----	101FR12	No Charge

17 FOOTPLATE TYPE

	<input type="checkbox"/> Composite Flip Up Footplates Small-----	101FP01	No Charge
	<input type="checkbox"/> Composite Flip Up Footplates Large-----	101FP02	No Charge
	<input type="checkbox"/> Aluminum Flip Up Footplates Medium-----	101FP05	No Charge
	<input type="checkbox"/> Aluminum Flip Up Footplates Large-----	101FP06	No Charge
	<input type="checkbox"/> Composite Angle Adj. Flip-Up Footplates Small -----	101FP08 K0040	\$110
	<input type="checkbox"/> Composite Angle Adj. Flip-Up Footplates Medium -----	101FP09 K0040	\$110
	<input type="checkbox"/> Composite Angle Adj. Flip-Up Cone Lock Large-----	101FP16 K0040	\$150
	<input type="checkbox"/> Composite Angle Adj. Flip-Up Cone Lock X-Large-----	101FP17 K0040	\$170
	<input type="checkbox"/> Aluminum Angle Adj Flip Up Footplates Medium-----	101FP11 K0040	\$110
	<input type="checkbox"/> Aluminum Angle Adj Flip Up Footplates Large-----	101FP12 K0040	\$110
	<input type="checkbox"/> Composite Angle Adj. Flip-Up Footplates Spring Return Lg	101FP04 K0040	\$150
K	<input type="checkbox"/> One Piece Footboard (15"-20")-----	101FP19	\$160
K	<input type="checkbox"/> One Piece Footboard (21"-24" Custom)-----	101FP20	\$195
	<input type="checkbox"/> Aluminum Angle Adj Flip Up Footplates Small-----	101FP10 K0040	\$110
	<input type="checkbox"/> One Piece Footboard, Padded -----	101FP26	\$210

FOOTNOTES:

- N. Pins not required for Lunar Backs
- O. Custom widths of Cushions up to 21" wide use HCPCS code E2601, E2603, E2607 or E2624 depending on the type of cushion. For Cushions over 21" use E602, E2604, E2608 or E2625 respectively
- P. Only available with Stroller Bar push option.
- Q. Not available with Flip Back Arms
- R. Transit Hooks can only be used on Orion II wheelchairs up to 350 lbs weight
- S. Only Standard Size

18 FOOTREST /LEGREST ACCESSORIES

	<input type="checkbox"/> Heel Loops -----	101FA01 E0951	\$40
	<input type="checkbox"/> Omit Heel Loops -----	101FA02	less net \$7
	<input type="checkbox"/> Padded Calf Strap -----	101FA03 K0038	\$45
L	<input type="checkbox"/> Swingway Calf Pad (pair) -----	101FA04	\$185
	<input type="checkbox"/> Foam Guard on Elevating Legrest (pair) -----	101FA05	\$45
	<input type="checkbox"/> Foam Pad One Piece Footboard -----	101FA06	\$50

Foam Pad on Footplate (pair) ----- 101FA07 \$45

19 WHEEL LOCKS

Push-to-Lock Wheel Lock ----- 101WL1 Standard
 Pull-to-Lock Wheel Lock ----- 101WL2 No Charge
 Wheel Lock Extension ----- 101WL3 E0961 \$60

20 HEADREST HARDWARE OPTIONS

Fixed Headrest Hardware ----- 101HE01 E0955 \$195
 Fixed Headrest Hardware Ass'y (Plus 4")----- 101HE02 E0955 \$200
 Single Multi-Axial Headrest Hardware ----- 101HE03 E1028 \$217
 Single Multi-Axial Headrest Hardware (Plus 4") ----- 101HE04 E1028 \$222
 Dual Multi-Axial Headrest hardware ----- 101HE05 E1028 \$219
 Dual Multi-Axial Headrest hardware (Plus 4") ----- 101HE06 E1028 \$225
 Links Multi Adjustable Headrest ----- 101HE10 E1028 \$240
 Links Multi Adjustable Curved Headrest ----- 101HE11 E1028 \$240
 Additional Link for Headrest ----- 101HE12 E1028 \$50
 2 Additional Links for Headrest ----- 101HE13 E1028 \$100
 3 Additional Links for Headrest ----- 101HE14 E1028 \$150
 Universal Headrest Bracket Assembly ----- 101HEBA E1028 \$61

21 HEADREST FOAM PAD OPTIONS

Small Headrest Foam Pad ----- 101HF1 E0955 \$214
 Small Headrest with Wings Foam Pad ----- 101HF2 E0955 \$225
 Medium Headrest Foam Pad ----- 101HF7 E0955 \$230
 Medium Headrest with Wings Foam Pad ----- 101HF8 E0955 \$260
 Large Headrest Foam Pad ----- 101HF3 E0955 \$250
 Large Headrest with Wings Foam Pad ----- 101HF4 E0955 \$275
 Small Molded Headrest ----- 101HF9 \$210
 Medium Molded Headrest ----- 101HF10 \$230
 Large Molded Headrest ----- 101HF11 \$250
 Omit Headrest ----- 101HE09 No Charge

WARRANTY

Future Mobility Healthcare warrants the Orion II to be free from defects in materials and workmanship for a period of one (1) year from the date of purchase. The frame is warranted for the lifetime of the original purchaser and/or user.

22 ANTI TIP

Fixed Anti-Tipper ----- 101MA22 E0971 \$90
 Flip Up Anti Tipper ----- 101MA23 E0971 \$250

23 MISCELLANEOUS ACCESSORIES

Tilt Locking Collar ----- 101MA01 \$20
 Recline Locking Collar ----- 101MA02 \$20
 Auto Seat Positioning Strap ----- 101MA03 E0978 \$52
 Airline Seat Positioning Strap ----- 101MA04 E0978 \$76
 Velcro Release Positioning Strap ----- 101MA05 E0978 \$48
 Foam Pad on Arm Guard (pair) ----- 101MA06 E0978 \$140
 Clear Lap Tray 15"-18" ----- 101MA07 E0950 \$255
 Clear Lap Tray 19"-22" ----- 101MA08 E0950 \$255
 Padded Lap Tray 15"-16" ----- 101MA09 E0950 \$150
 Padded Lap Tray 17"-18" ----- 101MA10 E0950 \$150
 Padded Lap Tray 19"-20" ----- 101MA11 E0950 \$150
 Padded Lap Tray 21"-22" ----- 101MA12 E0950 \$150
 Padded Lap Tray 23"-24" ----- 101MA13 E0950 \$150
 Half Padded Lap Tray, left side----- 101MA14 E0950 \$110
 Half Padded Lap Tray, right side----- 101MA15 E0950 \$110
 Elbow Stop, left ----- 101MA16 K0108 \$55
 Elbow Stop, right ----- 101MA17 K0108 \$55
 Shoulder Lateral Pad (each) ----- 101MA18 \$90
 Adjustable Side Pad ----- 101MA19 \$157
 IV Pole, telescopic----- 101MA20 K0105 \$175
 Oxygen Tank Holder----- 101MA21 E2208 \$153
 Quick Release Axle ----- 101AL1 E0971 No Charge
 Adductor Pad 10W x 4.5H w/Flush Hooks (pair)----- 101MA24 \$175
 Adductor Pad 10W x 4.5H w/Offset Hooks (pair)----- 101MA25 \$175
 Adductor Pad 12W x 4.5H w/Flush Hooks (pair)----- 101MA26 \$175
 Adductor Pad 12W x 4.5H w/Offset Hooks (pair)----- 101MA27 \$175
 Adductor Pad 14W x 4.5H w/Flush Hooks (pair)----- 101MA28 \$175
 Adductor Pad 14W x 4.5H w/Offset Hooks (pair)----- 101MA29 \$175
 Spoke Guards available on 20", 22" and 24" wheels--- 101MA49 \$130
 Orion II Front and Rear Transit Hooks----- 101MA30 \$250
 Power Tilt ----- 101MA31 \$1,600