

**NOTE:** Check all parts for shipping damages before using.  
In case of damage, do NOT use the equipment.  
Contact the Equipment Supplier for further instructions.

**WARNING**  
DO NOT install this equipment without first reading and understanding this instruction booklet. If you are unable to understand these instructions, contact a healthcare professional, dealer or technical personnel before attempting to install this equipment - otherwise, injury or damage may occur.

**NOTICE**  
Information contained within this document is subject to change without notice.

Remove all items from package to prepare for installation of Phantom Back onto back canes and ensure that the Kit includes the following:

- 1-Phantom Back cushion (with cover)
- 1-Lateral Pad (inside cushion)
- 1-Phantom Back shell
- 2-Phantom Back Post Clamp (Attached)
- 2-Phantom Back Post Clamp Mount (Attached)
- 2 - 3/4 Sleeve Bushing (not required on all installations)
- 2 - 7/8 Sleeve Bushing (not required on all installations)
- \* All Hardware

## Mounting Phantom Back to Chair Canes

Have a 5/32" Allen Key on hand.

Loosen clamp bolts –see Fig. A

Measure chair cane Diameter

If chair cane diameter is 1", use Phantom Assembly as is (no sleeve bushing).

If chair cane diameter is 3/4" or 7/8" insert sleeve bushing into Post Clamp as required – see Fig. B

Remove Phantom back cushion from shell to expose flange head bolts – see Fig. C.

Loosen bolts. Adjust clamp width to fit cane width.

Ensure back shell is centered between canes.

Tighten down bolts to secure clamp to shell.

Tighten clamp bolts to secure clamp to cane.

## Adjusting Phantom Back

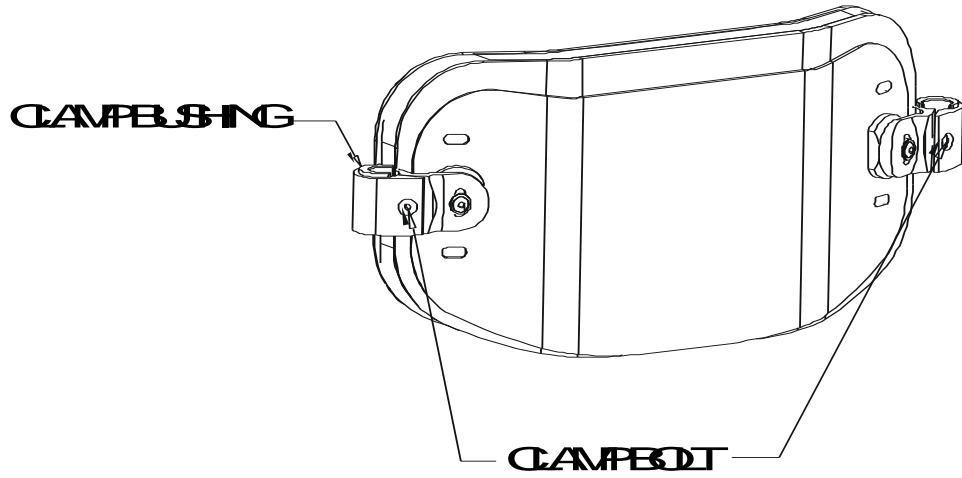
Loosen Phantom Back Clamp bolts.

Adjust Shell angle as desired- See Fig. D

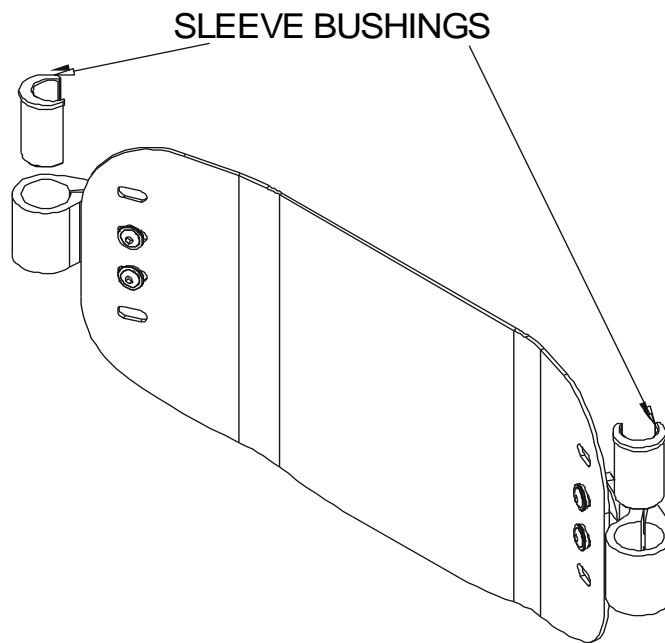
Tighten down clamp bolts to secure in place

\*Note: Phantom Back clamps can be repositioned vertically on the shell if cane cross brace is causing interference with the clamps.

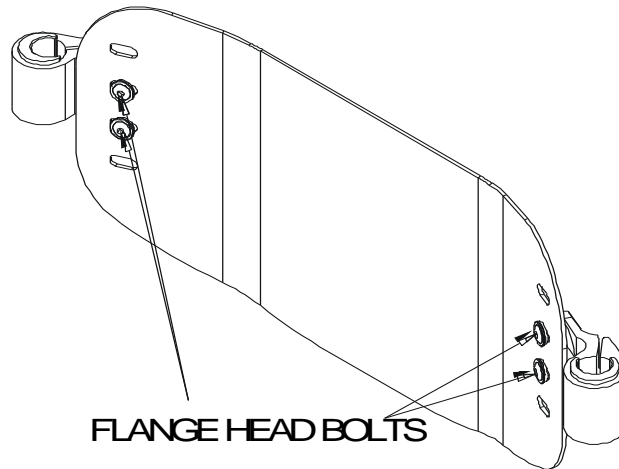
**Figure A**



**Figure B**



**Figure C**



**Figure D**

