



Account Information: _____ Order Date: _____

Account #: _____ P.O.# _____

Business Name: _____ Phone: _____

Ship to Address: _____ City: _____

Fax: _____ Province: _____ Zip Code: _____

Contact: _____

The HCPCS codes provided are based on code verification by the PDAC or our interpretation of the code definitions.
Proper use of HCPCS codes does not ensure coverage or payment. For coverage information, verify the appropriate payer's coverage policy.
Prices are subject to change without notice

- A ① FRAME TYPE**
- Stellato Folding Chair ----- 102 K0004 \$992
- ② FRAME FINISH**
- Black----- 102C01 Standard
 - Silver----- 102C02 No Charge
 - J Custom Colours**
 - Blue----- 102C03 No Charge
 - Green----- 102C04 No Charge
 - Orange----- 102C05 No Charge
 - Purple----- 102C06 No Charge
 - Red----- 102C07 No Charge
 - Yellow----- 102C08 No Charge

Standard Chair Includes:
 Lightweight Folding Frame
 Elliptical Heavyduty Crossbrace Tubing
 Seat Width (14"-20")
 Seat Depth (15"-20")
 Seat-To-Floor Height (13.25"-19.0")
 Rear Wheel Options (20", 22" or 24")
 Handrim Options (Stainless Steel)
 Caster Options (4", 5", 6", 7" or 8")
 Nylon Seat Upholstery
 Slip on Back Upholstery
 Angle Adjustable Push Canes
 70 Degree Swingaway Front Riggings
 Full Length Fixed Height FlipBack Arm
 Composite Flip-Up Footplate
 Wheel Locks (Push or Pull to Lock)
 Side Storage Pocket
 Choice of Two Colors (Black or Silver)

B ③ SIDE FRAME MATRIX

WIDTH	SEAT DEPTH					
	15	16	17	18	19	20
14	SMALL	SMALL	SMALL	SMALL		
15	SMALL	SMALL	SMALL	SMALL		
16	SMALL	SMALL	SMALL	SM/ LG	LARGE	LARGE
17	SMALL	SMALL	SMALL	SM/ LG	LARGE	LARGE
18	SMALL	SMALL	SMALL	SM/ LG	LARGE	LARGE
19				LARGE	LARGE	LARGE
20				LARGE	LARGE	LARGE



- ④ SEAT WIDTH**
- 14" Seat Width----- 102SW14 No Charge
 - 15" Seat Width----- 102SW15 No Charge
 - 16" Seat Width----- 102SW16 No Charge
 - 17" Seat Width----- 102SW17 No Charge
 - 18" Seat Width----- 102SW18 No Charge
 - 19" Seat Width----- 102SW19 No Charge
 - 20" Seat Width----- 102SW20 E2201 \$300
 - 22" Seat Width----- 102SW22 E2201 \$300

- ⑤ SEAT DEPTH**
- 15" Seat Depth----- 102SD15 \$125
 - 16" Seat Depth----- 102SD16 No Charge
 - 17" Seat Depth----- 102SD17 \$125
 - 18" Seat Depth----- 102SD18 No Charge
 - 19" Seat Depth----- 102SD19 \$125
 - 20" Seat Depth----- 102SD20 E2203 \$300

FOOTNOTES:
 A. Seat angle is set at 3 degrees. See service manual for details
 B. For 18" Seat Depth (16"-18"W) both large and small frame available
 J. Allow a few extra days for powder coating time for custom colors

STELLATO FRONT STF HEIGHT AVAILABILITY										
SMALL FRAME										
REAR WHEEL	4" CASTER									
20"	13.25"									
REAR WHEEL	5" CASTER									
20"		14.5"	15"	15.5"						
22"				16"						
REAR WHEEL	6" CASTER									
22"				16"	16.5"					
REAR WHEEL	7" CASTER									
22"					16.5"	17"				
24"										
REAR WHEEL	8" CASTER									
24"						17.5"	18"			
LARGE FRAME										
REAR WHEEL	5" CASTER									
20"			15.5"							
22"				16"	16.5"					
REAR WHEEL	6" CASTER									
22"					16.5"					
24"					16.5"	17"	17.5"	18"		
REAR WHEEL	7" CASTER									
22"						17"				
24"						17.5"	18"	18.5"		
REAR WHEEL	8" CASTER									
24"								18.5"	19"	

⑥ SEAT-TO-FLOOR HEIGHT - small frame

- | | | | | |
|--------------------------|--|----------|-------|-----------|
| <input type="checkbox"/> | 13.25" Seat to Floor (20" Wheels and 4" Casters) | 102STF01 | K0056 | \$100 |
| <input type="checkbox"/> | 14.5" Seat to Floor (20" rear and 5" casters) | 102STF02 | K0056 | \$100 |
| <input type="checkbox"/> | 15" Seat to Floor (20" Wheels and 5" Casters) | 102STF03 | K0056 | \$100 |
| <input type="checkbox"/> | 15.5" Seat to Floor (20" Wheels and 5" Casters) | 102STF04 | K0056 | \$100 |
| <input type="checkbox"/> | 16" Seat to Floor (22" Wheels and 5" Casters) | 102STF05 | K0056 | \$100 |
| <input type="checkbox"/> | 16" Seat to Floor (22" Wheels and 6" Casters) | 102STF06 | K0056 | \$100 |
| <input type="checkbox"/> | 16.5" Seat to Floor (22" Wheels and 6" Casters) | 102STF07 | K0056 | \$100 |
| <input type="checkbox"/> | 16.5" Seat to Floor (22" Wheels and 7" Casters) | 102STF08 | K0056 | \$100 |
| <input type="checkbox"/> | 17" Seat to Floor (22" Wheels and 7" Casters) | 102STF09 | | No Charge |
| <input type="checkbox"/> | 17.5" Seat to Floor (24" Wheels and 8" Casters) | 102STF10 | | No Charge |
| <input type="checkbox"/> | 18" Seat to Floor (24" Wheels and 8" Casters) | 102STF11 | | No Charge |

⑦ SEAT-TO-FLOOR HEIGHT - large frame

- | | | | | |
|--------------------------|---|----------|-------|-----------|
| <input type="checkbox"/> | 15.5" Seat to Floor (20" Wheels and 5" Casters) | 102STF12 | K0056 | \$100 |
| <input type="checkbox"/> | 16" Seat to Floor (22" Wheels and 5" Casters) | 102STF13 | K0056 | \$100 |
| <input type="checkbox"/> | 16.5" Seat to Floor (22" Wheels and 5" Casters) | 102STF14 | K0056 | \$100 |
| <input type="checkbox"/> | 16.5" Seat to Floor (22" Wheels and 6" Casters) | 102STF15 | K0056 | \$100 |
| <input type="checkbox"/> | 17" Seat to Floor (22" Wheels and 7" Casters) | 102STF16 | | No Charge |
| <input type="checkbox"/> | 17" Seat to Floor (24" Wheels and 6" Casters) | 102STF17 | | No Charge |
| <input type="checkbox"/> | 17.5" Seat to Floor (24" Wheels and 6" Casters) | 102STF18 | | No Charge |
| <input type="checkbox"/> | 17.5" Seat to Floor (24" Wheels and 7" Casters) | 102STF19 | | No Charge |
| <input type="checkbox"/> | 18" Seat to Floor (24" Wheels and 6" Casters) | 102STF20 | | No Charge |
| <input type="checkbox"/> | 18" Seat to Floor (24" Wheels and 7" Casters) | 102STF21 | | No Charge |
| <input type="checkbox"/> | 18.5" Seat to Floor (24" Wheels and 7" Casters) | 102STF22 | | No Charge |
| <input type="checkbox"/> | 18.5" Seat to Floor (24" Wheels and 8" Casters) | 102STF23 | | No Charge |
| <input type="checkbox"/> | 19" Seat to Floor (24" Wheels and 8" Casters) | 102STF24 | | No Charge |

⑨ REAR WHEEL RIM

- | | | | | |
|--------------------------|-------------------|---------|--|-----------|
| <input type="checkbox"/> | Mag Wheels----- | 102RW09 | | No Charge |
| <input type="checkbox"/> | Spoke Wheels----- | 102RW10 | | \$75 |

⑩ REAR WHEEL TIRE

<input type="checkbox"/> Airless (Solid Rubber) -----	102RT1		Standard
<input type="checkbox"/> Pneumatic -----	102RT2	E2211	\$105

11 HANDRIM OPTIONS

<input type="checkbox"/> Chrome -----	102HR1		Standard
<input type="checkbox"/> Plastic Coated -----	102HR2	K0059	\$75
<input type="checkbox"/> Omit Handrims -----	102HR3		less net \$15

12 ARM TYPE

<input type="checkbox"/> Full Length Adj. Height Flipback -----	102AR09	E0973	\$195
<input type="checkbox"/> Full Length Fixed Height Flipback -----	102AR10		STD

12 ARM PAD

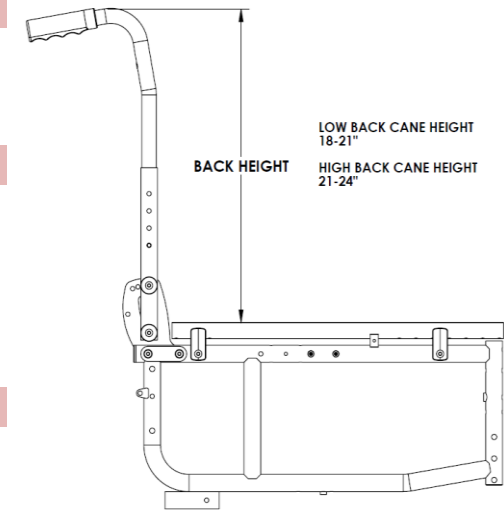
<input type="checkbox"/> Desk length Vinyl 10" (pair) -----	102AP1		No Charge
<input type="checkbox"/> Full length Vinyl 14" (pair) -----	102AP2		No Charge
<input type="checkbox"/> Contour Gel 17" (pair) -----	102AP3		Standard

13 BACK TYPE

<input type="checkbox"/> Angle Adj 10 deg Bend w/Push Handle (low) -----	102PC3		Standard
<input type="checkbox"/> Angle Adj 10 deg Bend w/Push Handle (high) -----	102PC4		\$125

14 BACK UPHOLSTERY

<input type="checkbox"/> Slip-on Padded Back Upholstery -----	102BK48		Standard
<input type="checkbox"/> Adjustable Tension Back -----	102BK45	E2611	\$295
<input type="checkbox"/> Prism Basic Back on chair Stock -----	102BK01	E2620	\$615
<input type="checkbox"/> Prism Basic Back on chair Non Stock -----	102BK02	E2620	\$615
E <input type="checkbox"/> Prism Basic Back on chair Custom -----	102BK04	E2620/21	\$750
<input type="checkbox"/> Prism Ultra Back on chair Stock -----	102BK06	E2620	\$615
<input type="checkbox"/> Prism Ultra Back on chair Non Stock -----	102BK07	E2620	\$615
E <input type="checkbox"/> Prism Ultra Back on chair Custom -----	102BK09	E2620/21	\$850
<input type="checkbox"/> Prism Air Back on chair Stock -----	102BK11	E2615	\$655
<input type="checkbox"/> Prism Air Back on chair Non Stock -----	102BK12	E2615	\$655
E <input type="checkbox"/> Prism Air Back on chair Custom -----	102BK14	E2615/16	\$755
<input type="checkbox"/> Prism TrueFitt Back on chair Stock -----	102BK16	E2615	\$625
<input type="checkbox"/> Prism TrueFitt Back on chair Non Stock -----	102BK17	E2615	\$625
E <input type="checkbox"/> Prism TrueFitt Back on chair Custom -----	102BK19	E2615/16	\$725
<input type="checkbox"/> Prism Max Ultra Back on chair Stock -----	102BK21	E2620	\$645
<input type="checkbox"/> Prism Max Ultra Back on chair Non Stock -----	102BK22	E2620	\$645
E <input type="checkbox"/> Prism Max Ultra Back on chair Custom -----	102BK24	E2620/21	\$695
<input type="checkbox"/> Prism Max Air Back on chair Stock -----	102BK26	E2620	\$725
<input type="checkbox"/> Prism Max Air Back on chair Non Stock -----	102BK27	E2620	\$725
E <input type="checkbox"/> Prism Max Air Back on chair Custom -----	102BK29	E2620/21	\$755
<input type="checkbox"/> Prism Max TrueFitt Back on chair Stock -----	102BK31	E2620	\$675
<input type="checkbox"/> Prism Max TrueFitt Back on chair Non Stock -----	102BK32	E2620	\$675
E <input type="checkbox"/> Prism Max TrueFitt Back on chair Custom -----	102BK34	E2620/21	\$725
<input type="checkbox"/> Lunar Back Low No Lateral on chair -----	102BK36	E2620	\$595
<input type="checkbox"/> Lunar Back Low Basic Lateral on chair -----	102BK37	E2620	\$670
<input type="checkbox"/> Lunar Back Mid No Lateral on chair -----	102BK38	E2620	\$645
<input type="checkbox"/> Lunar Back Mid Basic Lateral on chair -----	102BK39	E2620	\$720
<input type="checkbox"/> Lunar Back Mid Ultra Lateral on chair -----	102BK40	E2620	\$795
E <input type="checkbox"/> Lunar Back Full No Lateral on chair -----	102BK41	E2620/21	\$695
E <input type="checkbox"/> Lunar Back Full Basic Lateral on chair -----	102BK42	E2620/21	\$770
E <input type="checkbox"/> Lunar Back Full Ultra Lateral on chair -----	102BK43	E2620/21	\$845
E <input type="checkbox"/> Lunar Back Custom on chair -----	102BK44	E2620/21	\$950
<input type="checkbox"/> Phantom Back on Chair Stock -----	102BK79	E2611	\$365
<input type="checkbox"/> Phantom Back on Chair Custom -----	102BK80	E2611/12	\$450
<input type="checkbox"/> Omit Back Upholstery -----	102BK49		less net \$20
<input type="checkbox"/> Specify Back Size W ____ x H ____			



FOOTNOTES:

- D. Back angle adjusts -7 degrees to 21 degrees in 7 degree increments
- E. Custom widths of Backs up to 21" wide use HCPCS code E2620, E2615 or E2611 depending on the type of back. For Backs over 21" use E2621, E2616 or E2612 respectively
- F. Custom widths of Cushions up to 21" wide use HCPCS code E2601, E2603, E2607 or E2624 depending on the type of cushion. For Cushions over 21" use E602, E2604, E2608 or E2625 respectively

15 BACK PINS (Prism Backs only)

<input type="checkbox"/> Longer Pins for Back Hardware 1" Growth -----	102BP1		\$50
<input type="checkbox"/> Longer Pins for Back Hardware 2" Growth -----	102BP2		\$50

16 SEAT OPTIONS

<input type="checkbox"/> Black Nylon Seat Upholstery -----	102SC19		Standard
<input type="checkbox"/> Omit Seat Upholstery -----	102SC20		less net \$20
<input type="checkbox"/> Prism Ideal Cushion Stock Sizes -----	102SC01	E2601	\$100
<input type="checkbox"/> Prism Ideal Cushion Non-Stock Sizes -----	102SC02	E2601	\$100
F <input type="checkbox"/> Prism Ideal Cushion Custom Sizes -----	102SC03	E2601/02	\$150
<input type="checkbox"/> Prism Elite Cushion Stock Sizes -----	102SC04	E2603	\$225
<input type="checkbox"/> Prism Elite Cushion Non-Stock Sizes -----	102SC05	E2603	\$225

<input type="checkbox"/>	F	Prism Elite Cushion Custom Sizes-----	102SC06	E2603/04	\$300
<input type="checkbox"/>		Prism Supreme Cushion Stock Sizes-----	102SC07	E2607	\$365
<input type="checkbox"/>		Prism Supreme Cushion Non-Stock Sizes-----	102SC08	E2607	\$365
<input type="checkbox"/>	F	Prism Supreme Cushion Custom Sizes-----	102SC09	E2607/08	\$495
<input type="checkbox"/>		Prism Supreme II Plus Cushion Stock Sizes-----	102SC10	E2607	\$385
<input type="checkbox"/>		Prism Supreme II Plus Cushion Non-Stock Sizes-----	102SC11	E2607	\$385
<input type="checkbox"/>	F	Prism Supreme II Plus Cushion Custom Sizes-----	102SC12	E2607/08	\$425
<input type="checkbox"/>		Prism Supreme Air Cushion Stock Sizes-----	102SC13	E2624	\$475
<input type="checkbox"/>		Prism Supreme Air Cushion Non-Stock Sizes-----	102SC14	E2624	\$475
<input type="checkbox"/>	F	Prism Supreme Air Cushion Custom Sizes-----	102SC15	E2624/25	\$495
<input type="checkbox"/>		Prism Drop Base Flushmount Stock Sizes-----	102SC30	E2231	\$100
<input type="checkbox"/>		Prism Drop Base 1" Stock Sizes-----	102SC31	E2231	\$100
<input type="checkbox"/>		Prism Drop Base 2" Stock Sizes-----	102SC32	E2231	\$100
<input type="checkbox"/>		Prism Drop Base Flushmount Non Stock Sizes-----	102SC33	E2231	\$100
<input type="checkbox"/>		Prism Drop Base 1" Non Stock Sizes-----	102SC34	E2231	\$100
<input type="checkbox"/>		Prism Drop Base 2" Non Stock Sizes-----	102SC35	E2231	\$100
<input type="checkbox"/>		Prism Drop Base Flushmount Custom Sizes-----	102SC36	E2231	\$100
<input type="checkbox"/>		Prism Drop Base 1" Custom Sizes-----	102SC37	E2231	\$150
<input type="checkbox"/>		Prism Drop Base 2" Custom Sizes-----	102SC38	E2231	\$150

16 FRONT RIGGING

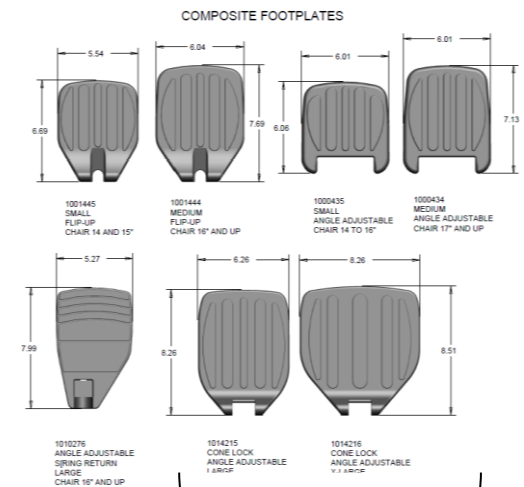
<input type="checkbox"/>		70 Degree Swingaway Pinstyle-----	102FR01		No Charge
<input type="checkbox"/>		80 Degree Swingaway Pinstyle-----	102FR02		No Charge
<input type="checkbox"/>		60 Degree Swingaway Upgraded-----	102FR03		No Charge
<input type="checkbox"/>		70 Degree Swingaway Upgraded-----	102FR04		Standard
<input type="checkbox"/>	G, H	90 Degree Swingaway Upgraded-----	102FR05		\$200
<input type="checkbox"/>		Elevating Legrest (pair) -----	102FR10	E0990	\$225
<input type="checkbox"/>		Omit Front Rigging -----	102FR11		less net \$20

FOOTNOTES:

- G. Not available with composite footplate with 6", 7" or 8" casters.
- H. Not available with angle adjustable footplate with 6", 7" or 8" casters.
- I. Not available with 6", 7" or 8" caster footboard is facing back on 90 degree swingaway

17 FOOTPLATE TYPE

<input type="checkbox"/>		Composite Flip-Up Footplates Small -----	102FP01		Standard
<input type="checkbox"/>		Composite Flip-Up Footplates Large -----	102FP02		Standard
<input type="checkbox"/>		Aluminum Flip-Up Footplates Medium -----	102FP05		No Charge
<input type="checkbox"/>		Aluminum Flip-Up Footplates Large -----	102FP06		No Charge
<input type="checkbox"/>		Composite Angle Adj Flip-Up Footplates Small-----	102FP08	K0040	\$110
<input type="checkbox"/>		Composite Angle Adj Flip-Up Footplates Medium-----	102FP09	K0040	\$110
<input type="checkbox"/>		Composite Angle Adj. Flip-Up Cone Lock Large-----	102FP16	K0040	\$150
<input type="checkbox"/>		Composite Angle Adj. Flip-Up Cone Lock X-Large-----	102FP17	K0040	\$170
<input type="checkbox"/>		Aluminum Angle Adj Flip-Up Footplates Small-----	102FP10	K0040	\$110
<input type="checkbox"/>		Aluminum Angle Adj Flip-Up Footplates Medium -----	102FP11	K0040	\$110
<input type="checkbox"/>		Aluminum Angle Adj Flip-Up Footplates Large -----	102FP12	K0040	\$150
<input type="checkbox"/>		Composite Adjustable Angle Flip-Up Footplates Spring Return-----	102FP04	K0040	\$150
<input type="checkbox"/>	I	One Piece Flip-Up Footboard -----	102FP19		\$160

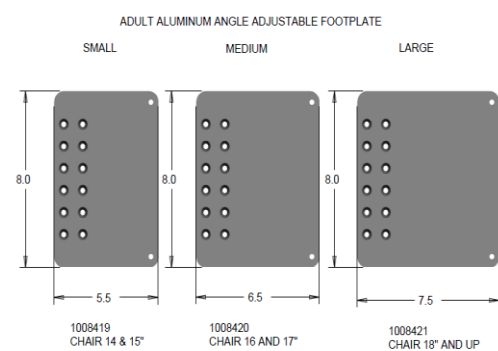


Only available 18" width and up

18 FOOTREST/LEGREST ACCESSORIES

<input type="checkbox"/>		Padded Calf Strap-----	102FA03	K0038	\$45
<input type="checkbox"/>		Foam Guards on Elevating Legrest (pair)-----	102FA05		\$45
<input type="checkbox"/>		Foam Pad on Footplate (pair)-----	102FA07		\$45
<input type="checkbox"/>		Foam Pad on One Piece Footboard-----	102FA06		\$50
<input type="checkbox"/>		Heel Loops-----	102FA01	K0951	\$40
<input type="checkbox"/>		Omit Heel Loops-----	102FA02		less net \$7

ALUMINUM FOOTPLATES



19 WHEEL LOCKS

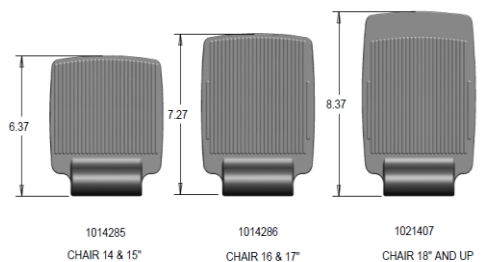
<input type="checkbox"/>		Push-to-Lock Wheel Lock-----	102WL1		Standard
<input type="checkbox"/>		Pull-to-Lock Wheel Lock-----	102WL2		No Charge
<input type="checkbox"/>		Wheel Lock Extension-----	102WL3	E0961	\$55

20 ANTI TIP

<input type="checkbox"/>		Fixed Anti-Tippers -----	102MA22	E0971	\$75
<input type="checkbox"/>		Flip Up Anti Tipper (pair) -----	102MA23	E0971	\$150

21 MISCELLANEOUS ACCESSORIES

<input type="checkbox"/>		Auto-Seat Positioning Straps-----	102MA03	E0978	\$52
<input type="checkbox"/>		Velcro Release Positioning Strap-----	102MA05	E0978	\$48
<input type="checkbox"/>		Quick Release Axles-----	102AL1		\$60
<input type="checkbox"/>		Foam Pad on Arm Guard (pair)-----	102MA06	E0950	\$140
<input type="checkbox"/>		Clear Lap Tray 15"-18"-----	102MA07	E0950	\$255
<input type="checkbox"/>		Clear Lap Tray 19"-22"-----	102MA08	E0950	\$255
<input type="checkbox"/>		Padded Lap Tray 15"-16"-----	102MA09	E0950	\$230
<input type="checkbox"/>		Padded Lap Tray 17"-18"-----	102MA10	E0950	\$230
<input type="checkbox"/>		Padded Lap Tray 19"-20"-----	102MA11	E0950	\$230



<input type="checkbox"/> Half Padded Lap Tray, left side-----	102MA14	E0950	\$160
<input type="checkbox"/> Half Padded Lap Tray, right side-----	102MA15	E0950	\$160
<input type="checkbox"/> IV Pole, telescopic-----	102MA20	K0105	\$145
<input type="checkbox"/> Oxygen Tank Holder-----	102MA21	K2208	\$175
<input type="checkbox"/> Spoke Guards available on 20", 22" and 24" wheels-----	102MA49	K0065	\$130

