



NORTHERN LITE

PARTS MANUAL

FUTURE MOBILITY PRODUCTS APPRECIATES YOUR BUSINESS.
OUR CUSTOMER SERVICE REPRESENTATIVES CAN BE CONTACTED AT:

**TO PLACE ORDERS:
716-783-9130**

FOR YOUR CONVENIENCE YOU MAY ALSO PLACE ORDERS BY FAX AT:

FAX: 716-783-9236

PLEASE VISIT OUR WEBSITE AT:

www.futuremobility.com

*Part prices and configurations included in this Parts Manual are subject to change without prior notice.

* All prices are shown as per unit individual price.

Contents

| | |
|--|-----------|
| FRAMES AND CROSSBRACE | 5 |
| NORTHERN-LITE SIDE FRAMES | 5 |
| NORTHERN-LITE CROSSBRACE MOUNTING HARDWARE ASS'Y | 7 |
| NORTHERN-LITE CROSSBRACE HARDWARE ASS'Y | 9 |
| SEAT SLING | 11 |
| NORTHERN-LITE SEAT SLING WITH RODS | 11 |
| BACK SLING | 13 |
| NORTHERN-LITE SLING BACK HARDWARE ASS'Y | 13 |
| NORTHERN-LITE ADJUSTABLE TENSION BACK HARDWARE ASS'Y | 15 |
| ARMS..... | 17 |
| NORTHERN-LITE T-STYLE PIN RELEASE ARMREST MOUNTING ASS'Y | 17 |
| CASTERS AND FORKS | 19 |
| NORTHERN-LITE CASTER HOUSING AND FORKS | 19 |
| REAR WHEELS AND MOUNTS | 21 |
| NORTHERN-LITE AXLE PLATE HARDWARE ASS'Y | 21 |
| NORTHERN-LITE REAR-WHEEL MOUNTING ASS'Y | 23 |
| NORTHERN LITE STF CHART | 25 |
| ANTI-TIPS | 27 |
| NORTHERN-LITE ANTI TIPPER HARDWARE ASS'Y | 27 |
| SWINGAWAY LEGREST | 29 |
| NORTHERN-LITE UPGRADED U-BOLT SWINGAWAY LEGREST | 29 |
| FOOTREST STEM AND PLATE | 31 |
| NORTHERN-LITE FOOTREST STEM AND PLATE | 31 |
| BACK CANES..... | 31 |
| NORTHERN-LITE FIXED CANE MOUNTING ASS'Y | 31 |
| WHEEL LOCKS | 33 |
| NORTHERN-LITE SLIDE-ON WHEEL LOCKS MOUNTING | 33 |
| LIGHT WHEEL LOCK HANDLE EXTENSION..... | 35 |

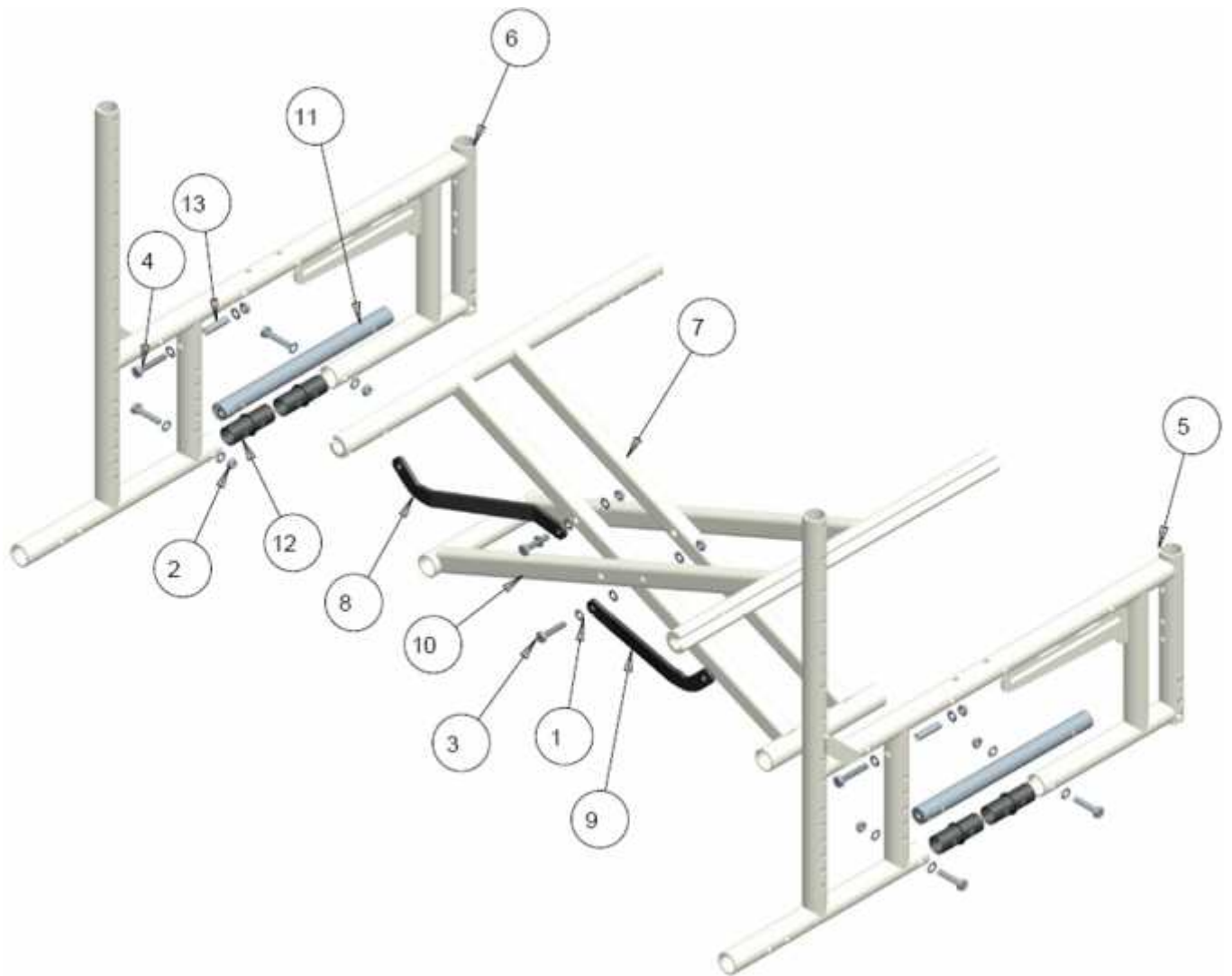
FRAMES AND CROSSBRACE
NORTHERN-LITE SIDE FRAMES

NORTHERN-LITE SIDE FRAMES – TABLE

| ITEM | QTY | NOTES | PART NO. | DESCRIPTION | PRICE/ UNIT |
|------|-----|-------|----------|---|-------------|
| 1 | 2 | | 1000397 | NUT, HEX-NYLOCK THIN, 1/4-20NC | \$2.00 |
| 2 | 2 | | 1000493 | SCREW, SOCKET HEAD BUTTON 1/4-20 X 1.50 | \$3.00 |
| 3 | 2 | | 1001624 | DUAL TUBE CLAMP SLIDER | \$5.00 |
| 4 | 1 | | 1027994 | SIDE FRAME WELDMENT 16" DEEP, RT | \$275.00 |
| | 1 | | 1027996 | SIDE FRAME WELDMENT 18" DEEP, RT | \$275.00 |
| | 1 | | 1027998 | SIDE FRAME WELDMENT 20" DEEP, RT | \$275.00 |
| | 1 | | 1028000 | SIDE FRAME WELDMENT 16" DEEP, LT | \$275.00 |
| | 1 | | 1028002 | SIDE FRAME WELDMENT 18" DEEP, LT | \$275.00 |
| | 1 | | 1028004 | SIDE FRAME WELDMENT 20" DEEP, LT | \$275.00 |

NOTES:

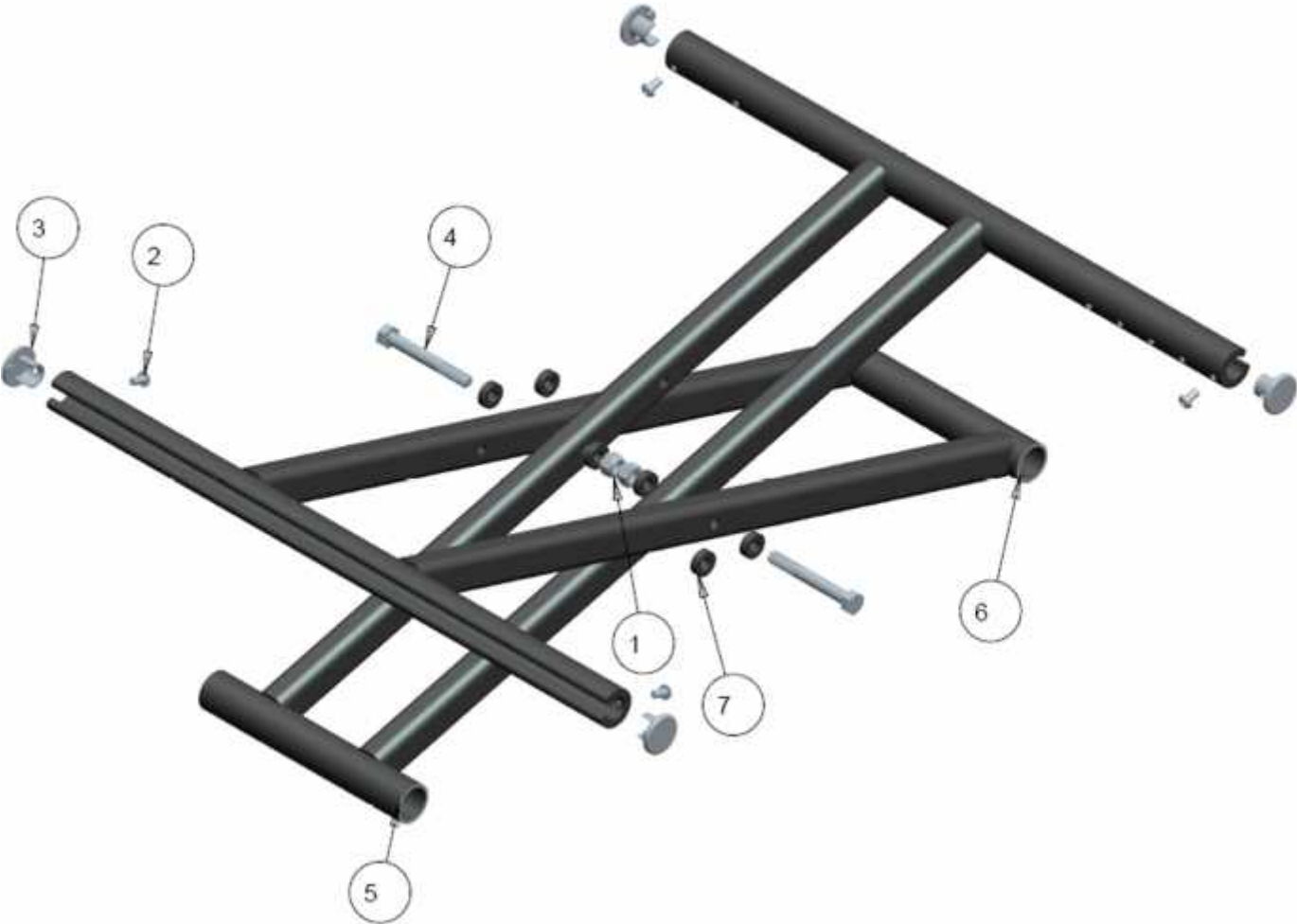
NORTHERN-LITE CROSSBRACE MOUNTING HARDWARE ASS'Y



NORTHERN-LITE CROSSBRACE MOUNTING ASSY – TABLE

| ITEM | QTY | NOTES | PART NO. | DESCRIPTION | PRICE/ UNIT |
|------|-----|-------|----------|---|-------------|
| 1 | 18 | | 1000027 | WASHER FLAT 1/4", ID .257, OD 0.50, THK .032 | \$1.50 |
| 2 | 8 | | 1000397 | NUT, HEX-NYLOCK THIN, 1/4-20NC | \$2.00 |
| 3 | 6 | | 1018933 | HEX BOLT 1/4-20NC, X1.25" | \$3.00 |
| 4 | 2 | | 1018937 | HEX BOLT 1/4-20NC, X 1.5" | \$3.00 |
| 5 | 1 | | REF | SIDE FRAME WELDMENT, RT | - |
| 6 | 1 | | REF | SIDE FRAME WELDMENT,LT | - |
| 7 | 1 | | REF | INSIDE CROSSBAR WELDMENT | - |
| 8 | 1 | | 1028030 | INSIDE CROSSBAR LOCK LINKAGE, 16" WIDE CHAIR | \$35.00 |
| | 1 | | 1028032 | INSIDE CROSSBAR LOCK LINKAGE, 18" WIDE CHAIR | \$35.00 |
| | 1 | | 1028034 | INSIDE CROSSBAR LOCK LINKAGE, 20" WIDE CHAIR | \$35.00 |
| 9 | 1 | | 1028036 | OUTSIDE CROSSBAR LOCK LINKAGE, 16" WIDE CHAIR | \$35.00 |
| | 1 | | 1028038 | OUTSIDE CROSSBAR LOCK LINKAGE, 18" WIDE CHAIR | \$35.00 |
| | 1 | | 1028040 | OUTSIDE CROSSBAR LOCK LINKAGE, 20" WIDE CHAIR | \$35.00 |
| 10 | 1 | | REF | OUTSIDE CROSSBAR WELDMENT | - |
| 11 | 2 | | 1026409 | PIVOT JOURNAL WELDMENT | \$35.00 |
| 12 | 8 | | 1027986 | CROSS BRACE INSERT BUSHING | \$9.00 |
| 13 | 2 | | 1028141 | BUSHING, X .25" ID, X.312 OD, X1.25 LONG | \$5.00 |

NORTHERN-LITE CROSSBRACE HARDWARE ASS'Y



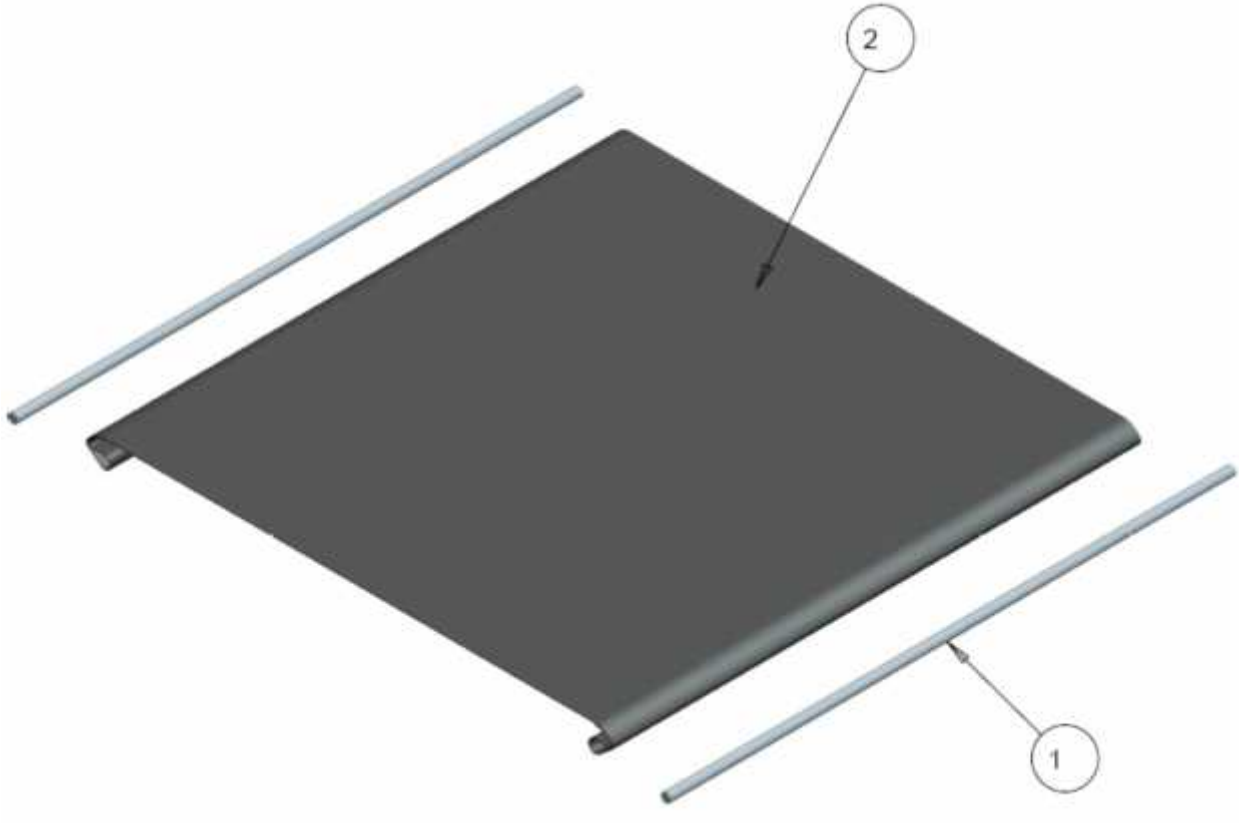
NORTHERN-LITE CROSSBRACE HARDWARE – TABLE

| ITEM | QTY | NOTES | PART NO. | DESCRIPTION | PRICE/ UNIT |
|------|-----|-------|----------|---|-------------|
| 1 | 2 | | 1000034 | NUT, HEX, NYLOCK 5/16-18NC | \$2.00 |
| 2 | 4 | | 1000226 | SCREW SOC BUTTON HEAD #10-32 X 0.375 | \$3.00 |
| 3 | 4 | | 1004213 | END PLUG SEAT RAIL | \$15.00 |
| 4 | 2 | | 1018939 | HEX BOLT 1/4-20NC, X 2.5" | \$3.00 |
| 5 | 1 | | 1028006 | INNER CROSSBAR WELDMENT, 16" WIDE CHAIR | \$135.00 |
| | 1 | | 1028008 | INNER CROSSBAR WELDMENT, 18" WIDE CHAIR | \$135.00 |
| | 1 | | 1028010 | INNER CROSSBAR WELDMENT, 20" WIDE CHAIR | \$135.00 |
| 6 | 1 | | 1028012 | OUTER CROSSBAR WELDMENT, 16" WIDE CHAIR | \$135.00 |
| | 1 | | 1028014 | OUTER CROSSBAR WELDMENT, 18" WIDE CHAIR | \$135.00 |
| | 1 | | 1028016 | OUTER CROSSBAR WELDMENT, 20" WIDE CHAIR | \$135.00 |
| 7 | 6 | | 1026376 | .20" THK SPACER | \$2.00 |

NOTES:

SEAT SLING

NORTHERN-LITE SEAT SLING WITH RODS



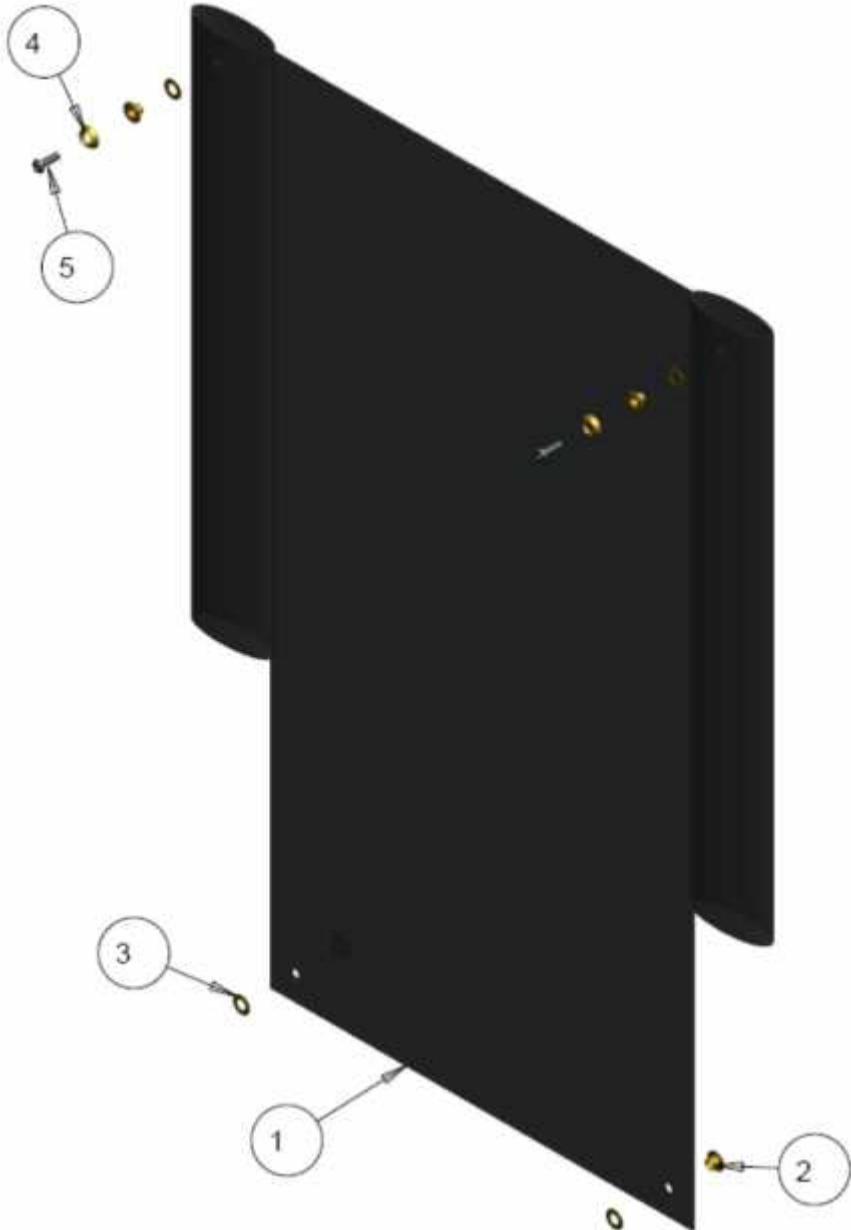
NORTHERN-LITE SEAT SLING WITH RODS – TABLE

| ITEM | QTY | NOTES | PART NO. | DESCRIPTION | PRICE/ UNIT |
|------|-----|-------|----------|--|-------------|
| 1 | 2 | | 1004208 | INSERT ROD, SEAT SLING, 16" | \$13.00 |
| | 2 | | 1004210 | INSERT ROD, SEAT SLING, 18" | \$13.00 |
| | 2 | | 1004212 | INSERT ROD, SEAT SLING, 20" | \$13.00 |
| 2 | 1 | | 1004615 | SEAT UPHOLSTERY WITH VELCRO (WXD) 16X16 | \$90.00 |
| | 1 | | 1004617 | SEAT UPHOLSTERY WITH VELCRO (WXD) 16X18 | \$90.00 |
| | 1 | | 1004619 | SEAT UPHOLSTERY WITH VELCRO (WXD) 16X20 | \$90.00 |
| | 1 | | 1004627 | SEAT UPHOLSTERY WITH VELCRO (WXD) 18X16 | \$90.00 |
| | 1 | | 1004629 | SEAT UPHOLSTERY WITH VELCRO (WXD) 18X18 | \$90.00 |
| | 1 | | 1004631 | SEAT UPHOLSTERY WITH VELCRO (WXD) 18X20 | \$90.00 |
| | 1 | | 1004641 | SEAT UPHOLSTERY WITH VELCRO (WXD) 20X18 | \$90.00 |
| | 1 | | 1004643 | SEAT UPHOLSTERY WITH VELCRO (WXD) 20X20 | \$90.00 |
| | 1 | | 1024775 | KIT, SLING SEAT WITH RODS, 16X16 (ITEMS 1-2) | \$104.00 |
| | 1 | | 1024785 | KIT, SLING SEAT WITH RODS, 16X18 (ITEMS 1-2) | \$104.00 |
| | 1 | | 1024799 | KIT, SLING SEAT WITH RODS, 16X20 (ITEMS 1-2) | \$104.00 |
| | 1 | | 1024777 | KIT, SLING SEAT WITH RODS, 18X16 (ITEMS 1-2) | \$104.00 |
| | 1 | | 1024787 | KIT, SLING SEAT WITH RODS, 18X18 (ITEMS 1-2) | \$104.00 |
| | 1 | | 1025301 | KIT, SLING SEAT WITH RODS, 18X20 (ITEMS 1-2) | \$104.00 |
| | 1 | | 1024789 | KIT, SLING SEAT WITH RODS, 20X18 (ITEMS 1-2) | \$104.00 |
| | 1 | | 1025303 | KIT, SLING SEAT WITH RODS, 20X20 (ITEMS 1-2) | \$104.00 |

NOTES:

BACK SLING

NORTHERN-LITE SLING BACK HARDWARE ASS'Y

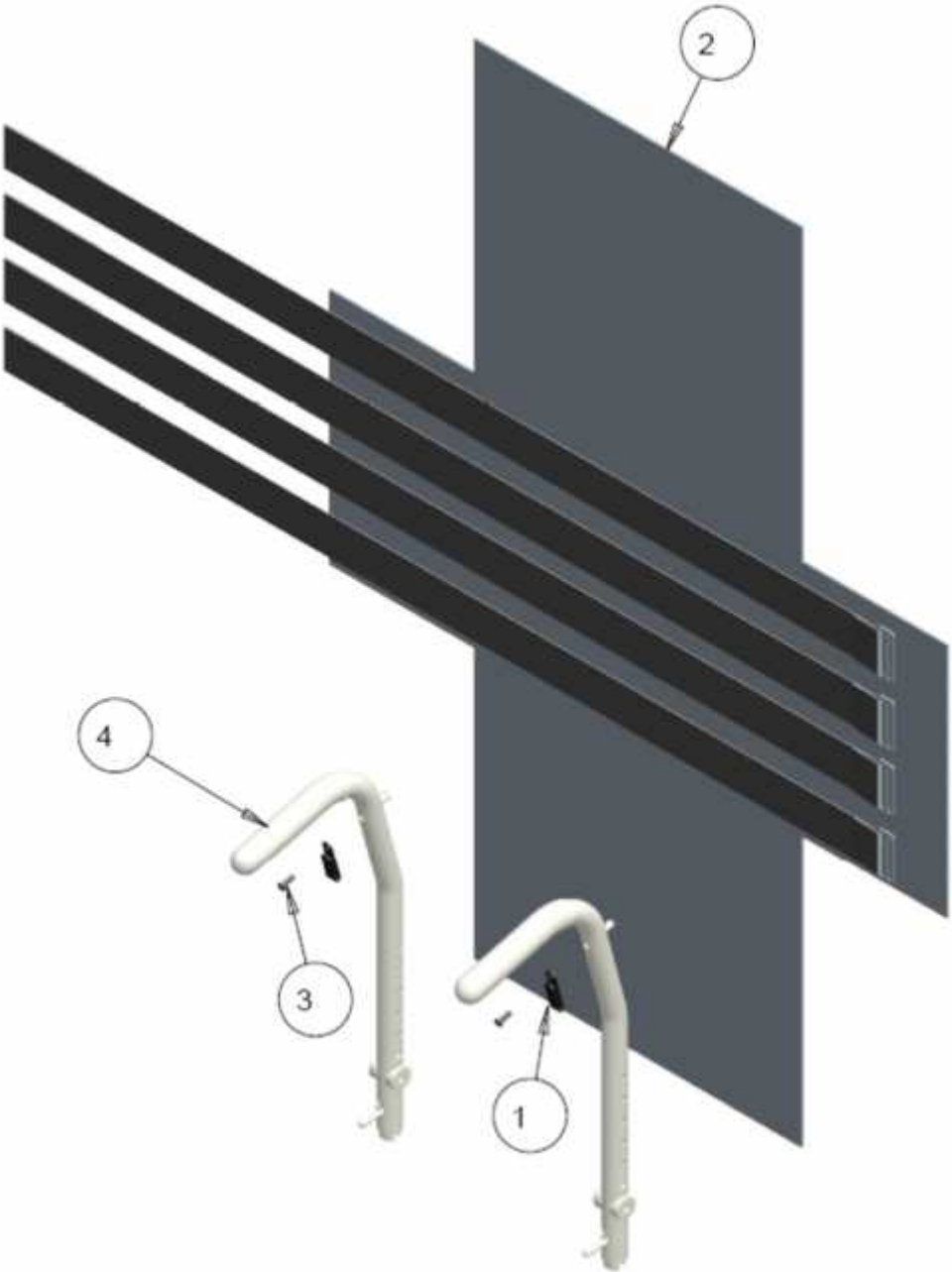


NORTHERN-LITE SLING BACK HARDWARE – TABLE

| ITEM | QTY | NOTES | PART NO. | DESCRIPTION | PRICE/ UNIT |
|------|-----|-------|----------------|---|-----------------|
| 1 | 1 | | 1004415 | SLING BACK UPHOLSTERY - LOW, 16" WIDTH | \$85.00 |
| | 1 | | 1004417 | SLING BACK UPHOLSTERY - LOW, 18" WIDTH | \$85.00 |
| | 1 | | 1004419 | SLING BACK UPHOLSTERY - LOW, 20" WIDTH | \$85.00 |
| | 1 | | 1004421 | SLING BACK UPHOLSTERY - HI, 16" WIDTH | \$85.00 |
| | 1 | | 1004423 | SLING BACK UPHOLSTERY - HI, 18" WIDTH | \$85.00 |
| | 1 | | 1004425 | SLING BACK UPHOLSTERY - HI, 20" WIDTH | \$85.00 |
| 2 | 4 | | 1004467 | GROMMET HOUSING ID .253 X OD .546 | \$3.00 |
| 3 | 4 | | 1004468 | GROMMET WASHER .285 ID X .545 OD | \$1.50 |
| 4 | 2 | | 1005240 | GROMMET HOUSING PROTECTOR | \$1.50 |
| 5 | 2 | | 1000193 | SCREW, SOCKET HEAD BUTTON, #10-32NF X 5/8 | \$4.00 |
| | 1 | | 1019002 | KIT, SLING BACK - LOW ASS'Y, 16" WIDTH (ITEMS 1-5) | \$102.00 |
| | 1 | | 1019004 | KIT, SLING BACK - LOW ASS'Y, 18" WIDTH (ITEMS 1-5) | \$102.00 |
| | 1 | | 1019006 | KIT, SLING BACK - LOW ASS'Y, 20" WIDTH (ITEMS 1-5) | \$102.00 |
| | 1 | | 1019009 | KIT, SLING BACK - HI ASS'Y, 16" WIDTH (ITEMS 1-5) | \$102.00 |
| | 1 | | 1019011 | KIT, SLING BACK - HI ASS'Y, 18" WIDTH (ITEMS 1-5) | \$102.00 |
| | 1 | | 1019013 | KIT, SLING BACK - HI ASS'Y, 20" WIDTH (ITEMS 1-5) | \$102.00 |

NOTES:

NORTHERN-LITE ADJUSTABLE TENSION BACK HARDWARE ASS'Y



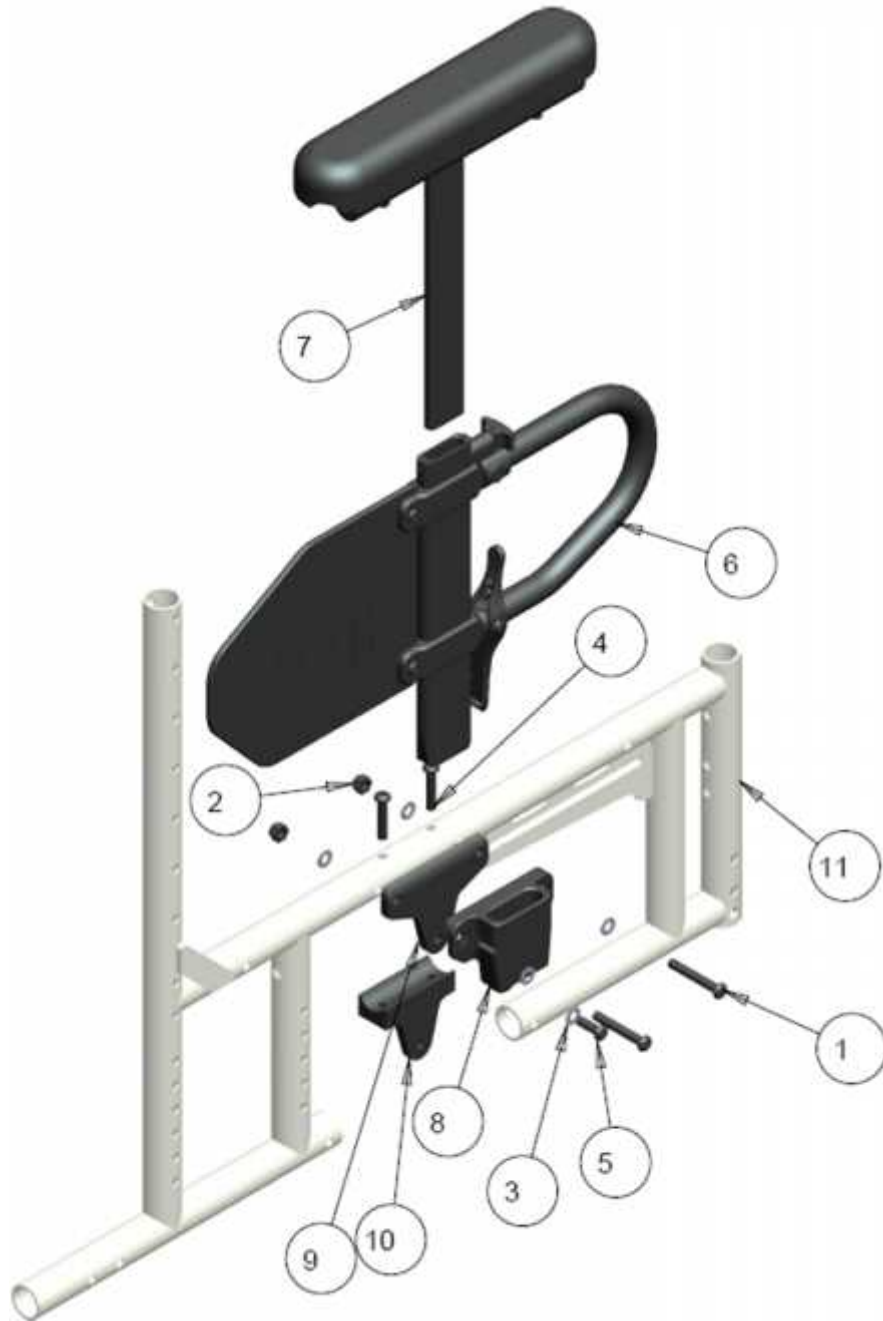
NORTHERN-LITE ADJUSTABLE TENSION BACK HARDWARE ASS'Y – TABLE

| ITEM | QTY | NOTES | PART NO. | DESCRIPTION | PRICE/ UNIT |
|------|-----|-------|----------|---|-------------|
| 1 | 2 | | 1004970 | TENSION BACK HOOK | \$9.00 |
| 2 | 1 | | 1004963 | TENSION BACK LOW | \$115.00 |
| | 1 | | 1004966 | TENSION BACK HIGH | \$115.00 |
| 3 | 2 | | 1000193 | SCREW, SOCKET HEAD BUTTON, #10-32NF X 5/8 | \$4.00 |
| 4 | 2 | | REF | BACKPOST ASS'Y, GENERAL | - |
| | 1 | | 1025306 | KIT, TENSION BACK LOW ASS'Y (ITEMS 1-3) | \$127.00 |
| | 1 | | 1025307 | KIT, TENSION BACK LOW ASS'Y (ITEMS 1-3) | \$127.00 |

NOTES:

ARMS

NORTHERN-LITE T-STYLE PIN RELEASE ARMREST MOUNTING ASS'Y



NORTHERN-LITE T-STYLE PIN RELEASE ARMREST MOUNTING – TABLE

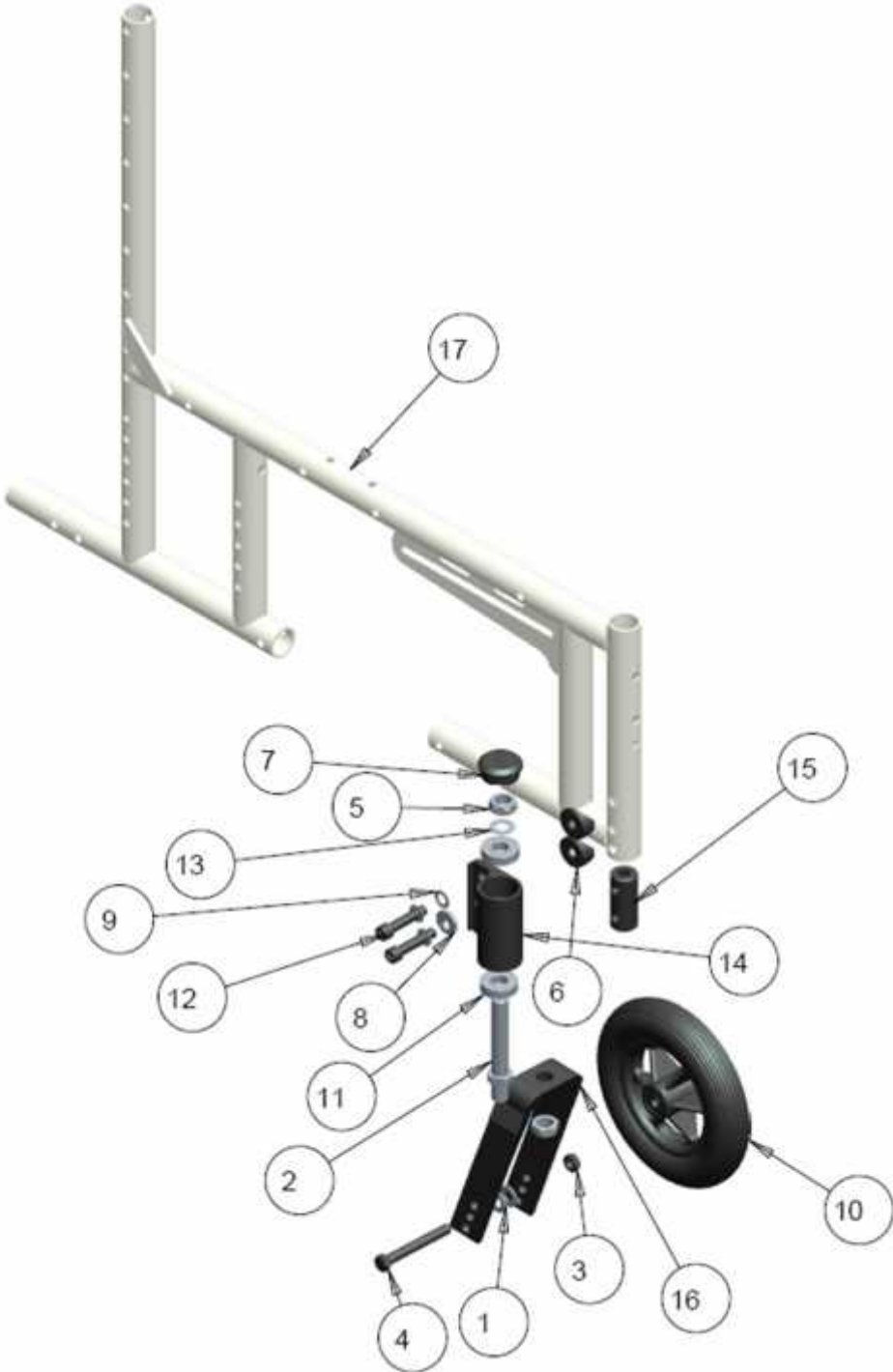
| ITEM | QTY | NOTES | PART NO. | DESCRIPTION | PRICE/ UNIT |
|------|-----|-------|----------|--|-------------|
| 1 | 2 | | 1000783 | SCREW, SOCKET HEAD BUTTON 1/4-20 X 1.75 | \$3.00 |
| 2 | 2 | | 1000014 | NUT, HEX, NYLOCK 1/4-20NC | \$2.00 |
| 3 | 5 | | 1000027 | WASHER FLAT 1/4", ID .257, OD 0.50, THK .032 | \$1.50 |
| 4 | 2 | | 1000416 | SCREW SOCKET HEAD BUTTON, 1/4-20 X 1.25 | \$3.00 |
| 5 | 1 | | 1001391 | SCREW, SOCKET HEAD BUTTON, 1/4-20NC X 3/4 | \$3.00 |
| 6 | 1 | | 1010902 | KIT, ARM-REST MID (ADULT SIZE) ASS'Y | \$233.00 |
| 7 | 1 | | 1010524 | KIT, ARM-REST TOP DESK LENGTH, RT | \$104.00 |
| | 1 | | 1010525 | KIT, ARM-REST TOP DESK LENGTH, LT | \$104.00 |
| | 1 | | 1010526 | KIT, ARM-REST TOP FULL LENGTH, RT | \$110.00 |
| | 1 | | 1010527 | KIT, ARM-REST TOP FULL LENGTH, LT | \$110.00 |
| 8 | 1 | | 1011236 | ARM-REST BASE 3-HOLE | \$44.00 |
| 9 | 1 | | 1015358 | 3-POINT 1/4" RISER BLOCK | \$14.00 |
| 10 | 1 | | 1017986 | BACK STOP- ARM BASE 3-POINT TAPPED | \$40.00 |
| 11 | 1 | | REF | SIDE FRAME WELDMENT, RT | - |

NOTES:

NOTE: PLEASE SEE PARTS LIBRARY – [ARMRESTS](#) FOR BREAKDOWN OF PARTS FOR [PIN RELEASE T-STYLE ARMS](#)

CASTERS AND FORKS

NORTHERN-LITE CASTER HOUSING AND FORKS



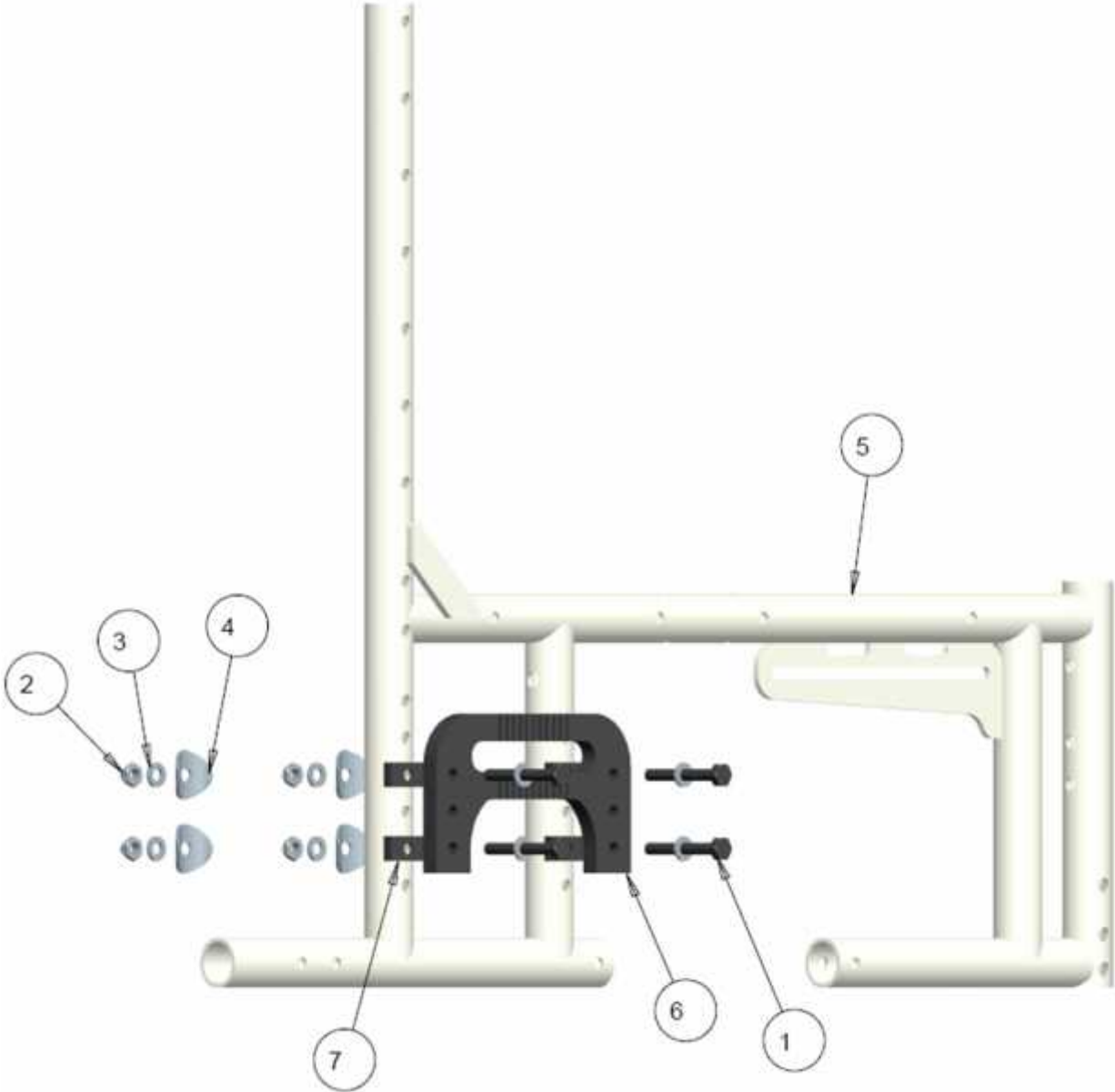
NORTHERN-LITE CASTER HOUSING AND FORKS – TABLE

| ITEM | QTY | NOTES | PART NO. | DESCRIPTION | PRICE/ UNIT |
|------|-----|-------|----------|---|-------------|
| 1 | 2 | | 1000008 | WASHER FLAT 11/16 OD 11/32 ID 11/16 THK_BLK | \$1.50 |
| 2 | 1 | | 1000144 | STEM, CASTER JOURNAL | \$43.00 |
| 3 | 1 | | 1000396 | NUT, HEX-NYLOCK THIN, 5/16-18NC | \$2.00 |
| 4 | 1 | | 1000422 | BOLT, HEX HEAD, 5/16-18NC X 2 1/2 | \$3.00 |
| 5 | 2 | | 1000976 | NUT. HEX-NYLOCK THIN, 1/2-20NF | \$2.50 |
| 6 | 2 | | 1003831 | SPACER, COVERED 0.312x1.0 DIA. HALF | \$3.00 |
| 7 | 1 | | 1005363 | CASTER MOUNT CAP, PLASTIC | \$8.00 |
| 8 | 1 | | 1006083 | CASTER HOUSING ANGLE LOCK PLATE | \$5.00 |
| 9 | 3 | | 1006325 | WASHER FLAT 5/16 OD 9/16 THK .031 | \$1.50 |
| 10 | 1 | | 1004117 | CASTER WHEEL ASS'Y 4" URETHANE 1.00" WIDE | \$54.00 |
| | 1 | | 1013178 | CASTER WHEEL ASS'Y 6" URETHANE 1.25" WIDE | \$67.00 |
| | 1 | | 1004120 | CASTER WHEEL ASS'Y 8" URETHANE 1.25" WIDE | \$84.00 |
| 11 | 2 | | 1013407 | BEARING ID 0.5" X 1.125 OD X .312 | \$10.00 |
| 12 | 2 | | 1013692 | SCREW, SOCKET HEAD CAP, 5/16-18NC X 1.5 | \$3.00 |
| 13 | 1 | | 1021330 | WASHER FLAT ID.512 OD.755 THK.030 | \$1.50 |
| 14 | 1 | | 1024997 | ADJUSTABLE CASTE HOUSING, LT | \$52.00 |
| 15 | 1 | | 1025000 | CASTER INSERT PLUG | \$14.00 |
| 16 | 1 | | 1025105 | NARROW FORK SHORT - WITH RIBS | \$58.00 |
| | 1 | | 1025110 | NARROW FORK MEDIUM - WITH RIBS | \$52.00 |
| | 1 | | 1025015 | NARROW FORK LONG - WITH RIBS | \$56.00 |
| 17 | 1 | | REF | SIDE FRAME WELDMENT, RT | - |

NOTES:

REAR WHEELS AND MOUNTS

NORTHERN-LITE AXLE PLATE HARDWARE ASS'Y

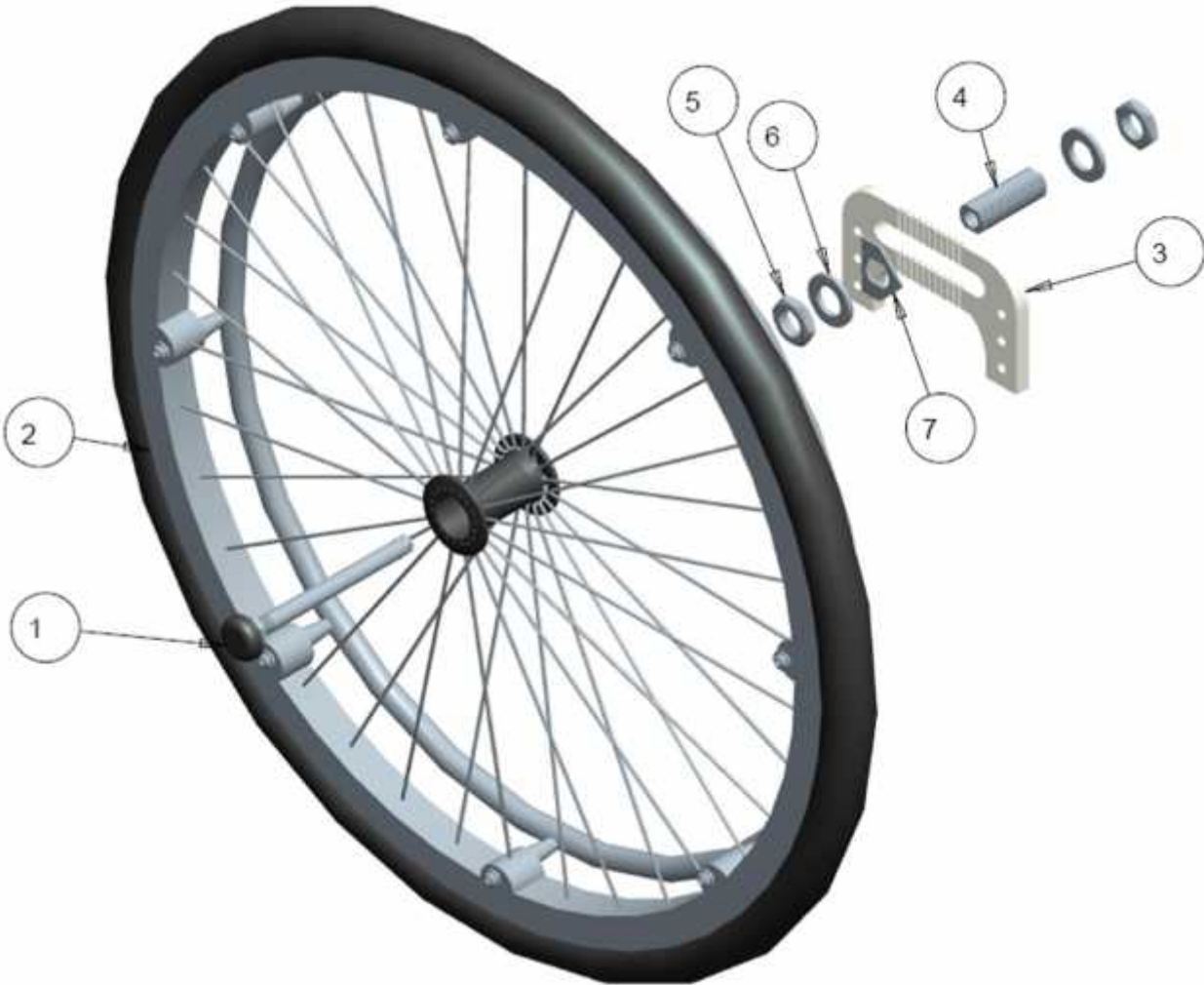


NORTHERN-LITE AXLE PLATE HARDWARE – TABLE

| ITEM | QTY | NOTES | PART NO. | DESCRIPTION | PRICE/ UNIT |
|------|-----|-------|----------|---|-------------|
| 1 | 4 | | 1000372 | BOLT, HEX HEAD, 1/4-20NC X 2 | \$3.00 |
| 2 | 4 | | 1000397 | NUT, HEX-NYLOCK THIN, 1/4-20NC | \$2.00 |
| 3 | 8 | | 1000401 | WASHER FLAT 1/4", ID .257, OD 0.50, THK 0.062 | \$1.50 |
| 4 | 4 | | 1018955 | CURVED WASHER, X.25" ID, X1.00" TUBE | \$1.50 |
| 5 | 1 | | REF | SIDE FRAME WELDMENT, RT | - |
| 6 | 1 | | 1026380 | AXLE PLATE | \$98.00 |
| 7 | 4 | | 1026385 | AXLE PLAE SP CER | \$11.00 |

NOTES:

NORTHERN-LITE REAR-WHEEL MOUNTING ASSY



NORTHERN-LITE REAR WHEEL MOUNTING – TABLE

| ITEM | QTY | NOTES | PART NO. | DESCRIPTION | PRICE/ UNIT |
|------|-----|-------|----------|--|-------------|
| 1 | 1 | | 1008937 | MUSHROOM QUICK RELEASE AXEL | \$95.00 |
| 2 | 1 | | 1021956 | 24" WHEEL SPOKE COMPLETE SOLID TIRE SS HANDRIM | \$405.00 |
| | 1 | | 1021960 | 22" WHEEL SPOKE COMPLETE SOLID TIRE SS HANDRIM | \$405.00 |
| | 1 | | 1021964 | 20" WHEEL SPOKE COMPLETE SOLID TIRE SS HANDRIM | \$405.00 |
| 3 | 1 | | REF | AXLE PLATE | - |
| 4 | 1 | | 1026381 | AXLE BOLT | \$19.00 |
| 5 | 2 | | 1026382 | HEX NUT 3/4-16 | \$2.50 |
| 6 | 2 | | 1026383 | WASHER FLAT, 1.31 OD .75 ID | \$1.50 |
| 7 | 1 | | 1026384 | AXLE PLATE LOCK PLATE | \$9.00 |

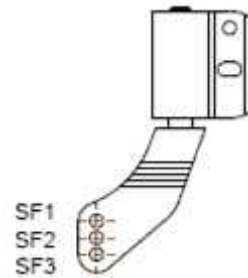
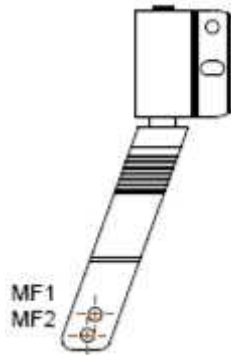
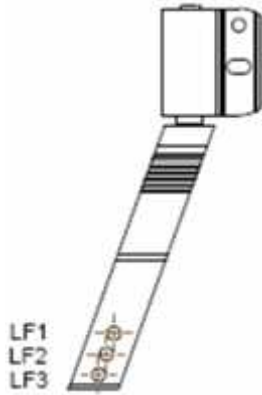
NOTES:

NOTE: PLEASE SEE PARTS LIBRARY – [REAR WHEELS](#) FOR BREAKDOWN OF PARTS FOR [REAR WHEEL](#)

NORTHERN LITE STF CHART

| NORTHERN-LITE FRONT STF HEIGHT AVAILABILITY | | | | | | |
|---|----------|-----------|----------|-----------|----------|-----------|
| Fork Position & Caster Wheel Size & Fork Size | | | | | | |
| Front STF | 4" | | 6" | | 8" | |
| | POSITION | FORK SIZE | POSITION | FORK SIZE | POSITION | FORK SIZE |
| 13.75" STF | SF1 | SHORT | | | | |
| 14.25" STF | SF2 | SHORT | | | | |
| 14.75" STF | SF3 | SHORT | SF1 | SHORT | | |
| 15.25" STF | | | SF2 | SHORT | | |
| 15.75" STF | MF1 | MEDIUM | SF3 | SHORT | SF1 | SHORT |
| 16.25" STF | MF2 | MEDIUM | | | SF2 | SHORT |
| 16.75" STF | LF1 | LONG | MF1 | MEDIUM | SF3 | SHORT |
| 17.25" STF | LF2 | LONG | MF2 | MEDIUM | | |
| 17.75" STF | LF3 | LONG | LF1 | LONG | MF1 | MEDIUM |
| 18.25" STF | | | LF2 | LONG | MF2 | MEDIUM |
| 18.75" STF | | | LF3 | LONG | LF1 | LONG |
| 19.25" STF | | | | | LF2 | LONG |
| 19.75" STF | | | | | LF3 | LONG |

| NORTHERN-LITE REAR STF HEIGHT AVAILABILITY | | | |
|--|-----------------------|-----------------------|-----------------------|
| Wheel Size and Axle Position | | | |
| Rear STF | 20" | 22" | 24" |
| | AXLE POSITION | AXLE POSITION | AXLE POSITION |
| 13.25" STF | POSITION 1 | | |
| 14.00" STF | POSITION 2 | | |
| 15.00" STF | | POSITION 2 | |
| 15.50" STF | POSITION 4 | | |
| 16.00" STF | | | POSITION 2 |
| 16.50" STF | | POSITION 4 | |
| 17.00" STF | POSITION 5 (REVERSED) | | |
| 17.50" STF | | | POSITION 4 |
| 18.00" STF | | POSITION 5 (REVERSED) | |
| 18.75" STF | | POSITION 6 (REVERSED) | |
| 19.00" STF | | | POSITION 5 (REVERSED) |
| 19.75" STF | | | POSITION 6 (REVERSED) |



POSITION 1



POSITION 2



POSITION 3



POSITION 4



**POSITION 5
MOUNT PLATE
REVERSED**



**POSITION 6
MOUNT PLATE
REVERSED**

ANTI-TIPS

NORTHERN-LITE ANTI TIPPER HARDWARE ASS'Y



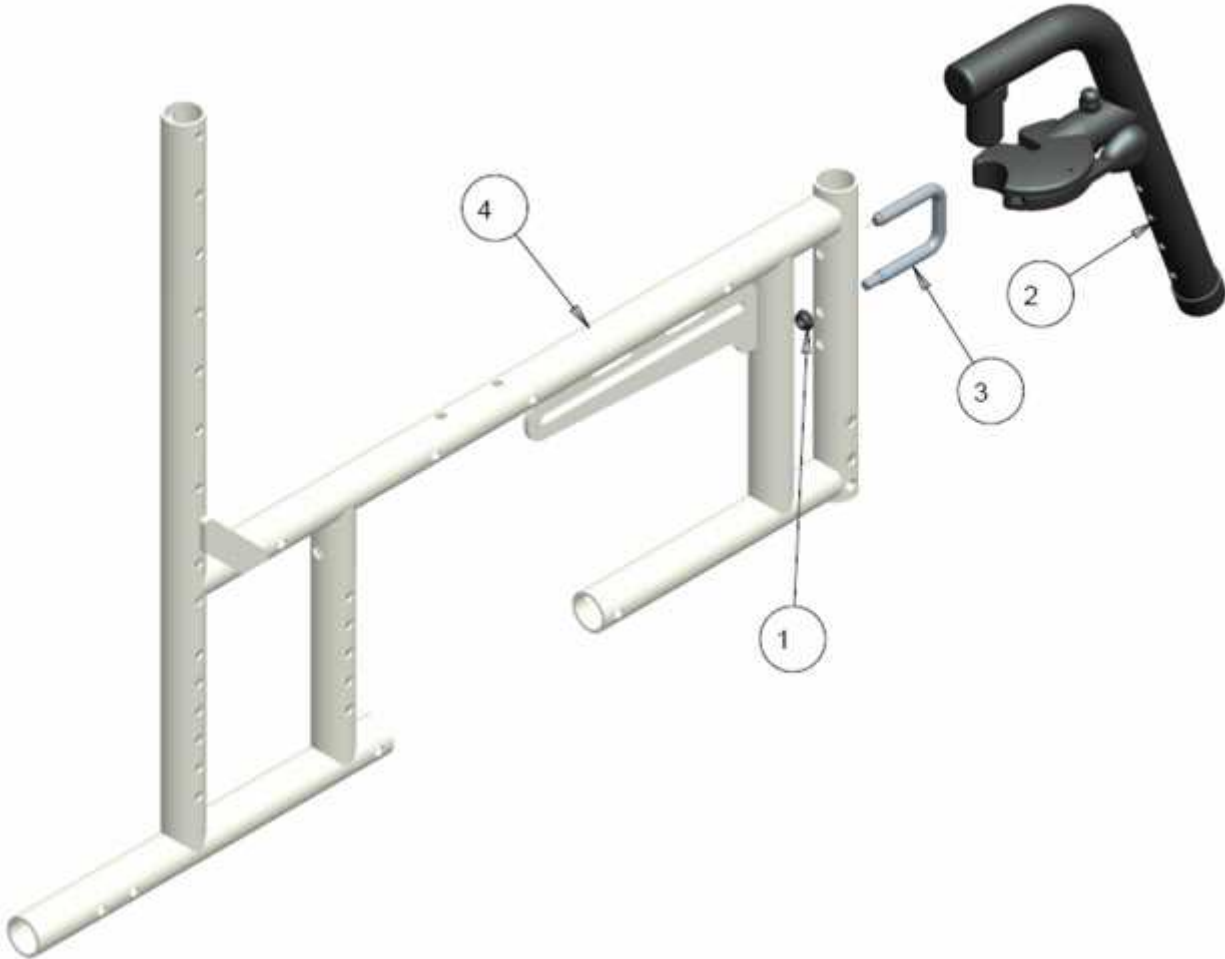
NORTHERN-LITE ANTI-TIPPER HARDWARE – TABLE

| ITEM | QTY | NOTES | PART NO. | DESCRIPTION | PRICE/ UNIT |
|------|-----|-------|----------|--|-------------|
| 1 | 1 | | 1000194 | NUT, HEX-NYLOCK, #10-32NF, BLK | \$2.50 |
| 2 | 2 | | 1000408 | ANTI-TIP WHEEL | \$3.50 |
| 3 | 1 | | 1001316 | SCREW, SOCKET HEAD BUTTON #10/32X 1.75 | \$3.00 |
| 4 | 1 | | REF | SIDE FRAME WELDMENT, RT | - |
| 5 | 1 | | 1026388 | TUBE ANTI TIP | \$30.00 |
| 6 | 1 | | 1026389 | TUBE ANTI TIP SLIDE | \$18.00 |
| 7 | 1 | | 1026390 | BUTTON SPRING, SINGLE | \$3.00 |
| 8 | 1 | | 1026391 | BUTTON SPRING, DOUBLE | \$3.50 |

NOTES:

SWINGAWAY LEGREST

NORTHERN-LITE UPGRADED U-BOLT SWINGAWAY LEGREST



NORTHERN-LITE UPGRADED U-BOLT SWINGAWAY LEGREST – TABLE

| ITEM | QTY | NOTES | PART NO. | DESCRIPTION | PRICE/ UNIT |
|------|-----|-------|----------|--|-------------|
| 1 | 1 | | 1000397 | NUT, HEX-NYLOCK THIN, 1/4-20NC | \$2.00 |
| 2 | 1 | | 1001179 | KIT 60 DEG UPGRADED SWINGAWAY ASS'Y RT | \$132.00 |
| | 1 | | 1001180 | KIT 60 DEG UPGRADED SWINGAWAY ASS'Y LT | \$132.00 |
| | 1 | | 1000754 | KIT 70 DEG UPGRADED SWINGAWAY ASS'Y RT | \$132.00 |
| | 1 | | 1000780 | KIT 70 DEG UPGRADED SWINGAWAY ASS'Y LT | \$132.00 |
| | 1 | | 1004064 | KIT 90 DEG UPGRADED SWINGAWAY ASS'Y RT | \$132.00 |
| | 1 | | 1004065 | KIT 90 DEG UPGRADED SWINGAWAY ASS'Y LT | \$132.00 |
| 3 | 1 | | 1000757 | LATCH U-BOLT | \$20.00 |
| 4 | 1 | | REF | SIDE FRAME WELDMENT, RT | - |

NOTES:

NOTE: PLEASE SEE PARTS LIBRARY – SWINGAWAY LEGREST FOR BREAKDOWN OF PARTS FOR UPGRADED SWINGAWAY

FOOTREST STEM AND PLATE

NORTHERN-LITE FOOTREST STEM AND PLATE

NOTE: PLEASE SEE PARTS LIBRARY – [SWINGAWAY LEGREST](#) FOR PARTS ON FOOTREST STEM AND PLATE

BACK CANES

NORTHERN-LITE FIXED CANE MOUNTING ASS'Y



NORTHERN-LITE FIXED CANE MOUNTING – TABLE

| ITEM | QTY | NOTES | PART NO. | DESCRIPTION | PRICE/ UNIT |
|------|-----|-------|----------|-------------------------------|-------------|
| 1 | 2 | | 1001381 | SOC HD SCREW 1/4-20 X 1.00 | \$3.00 |
| 2 | 1 | | 1001869 | GLIDE BUSHING | \$5.00 |
| 3 | 1 | | 1006117 | FOAM GRIP, 1X 5.25 LG .08 THK | \$5.00 |
| 4 | 1 | | REF | SIDE FRAME WELDMENT, RT | - |
| 5 | 1 | | 1026412 | 3/4" BACKCANE PRESSED | \$65.00 |

NOTES:

WHEEL LOCKS

NORTHERN-LITE SLIDE-ON WHEEL LOCKS MOUNTING



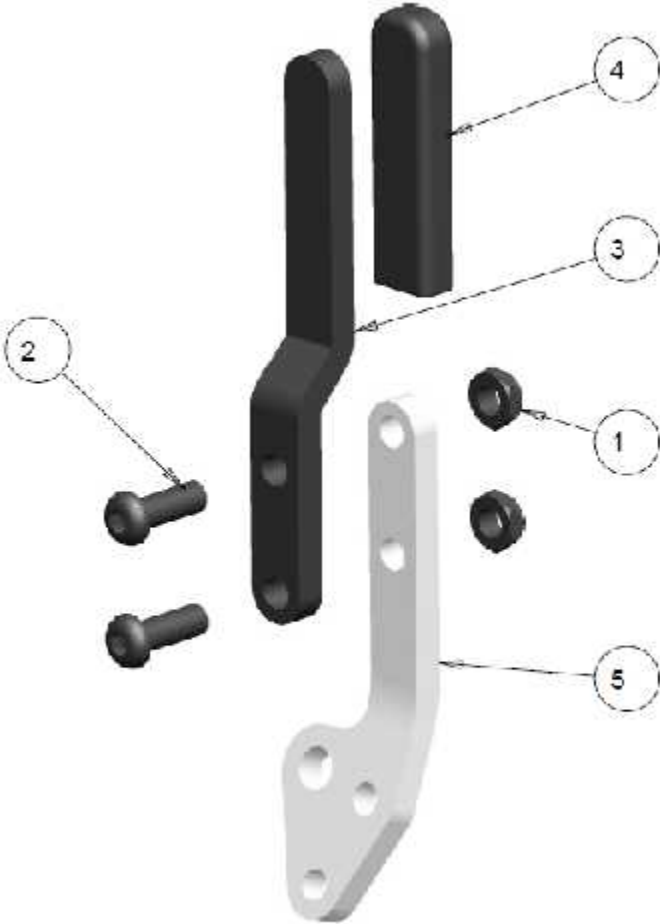
NORTHERN-LITE SLIDE-ON WHEEL LOCKS MOUNTING – TABLE

| ITEM | QTY | NOTES | PART NO. | DESCRIPTION | PRICE/ UNIT |
|------|-----|-------|----------|------------------------------------|-------------|
| 1 | 1 | | 1026795 | EXTENDED SLIDE-ON PUSH TO LOCK, RT | \$112.00 |
| | 1 | | 1026796 | EXTENDED SLIDE-ON PUSH TO LOCK, LT | \$112.00 |
| | 1 | | 1026797 | EXTENDED SLIDE-ON PULL TO LOCK, RT | \$112.00 |
| | 1 | | 1026798 | EXTENDED SLIDE-ON PULL TO LOCK, LT | \$112.00 |
| 2 | 1 | | REF | SIDE FRAME WELDMENT, RT | - |

NOTES:

NOTE: PLEASE SEE PARTS LIBRARY – [WHEEL LOCKS](#) FOR BREAKDOWN OF PARTS FOR [EXTENDED SLIDE-ON WHEEL LOCK](#)

LIGHT WHEEL LOCK HANDLE EXTENSION



LIGHT WHEEL LOCK HANDLE EXTENSION – TABLE

| ITEM | QTY | NOTES | PART NO. | DESCRIPTION | PRICE/ UNIT |
|------|-----|-------|----------|--|-------------|
| 1 | 2 | | 1000397 | NUT, HEX-NYLOCK THIN, 1/4-20NC | \$2.00 |
| 2 | 2 | | 1001391 | SCREW, SOCKET HEAD BUTTON, 1/4-20NC X 3/4 | \$3.00 |
| 3 | 1 | | 1021883 | LIGHT EXTENSION HANDLE LINK | \$21.00 |
| 4 | 1 | | 1021884 | RECTANGULAR ROUND END CAP | \$3.50 |
| 5 | 1 | | REF | LIGHT WHEEL LOCK HANDLE | |
| | | | | | |
| | 1 | | 1024950 | KIT, COMPLETE BRAKE EXTENSION HANDLE (ITEMS 1-4) | \$29.00 |
| | 1 | | 1024958 | KIT, COMPLETE PAIR BRAKE EXTENSION HANDLES | \$48.00 |

NOTES: